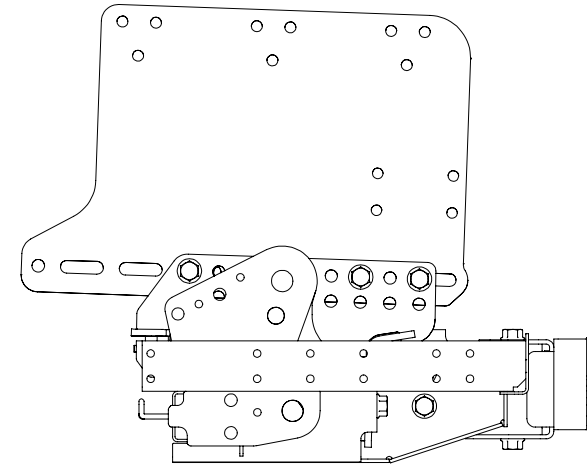
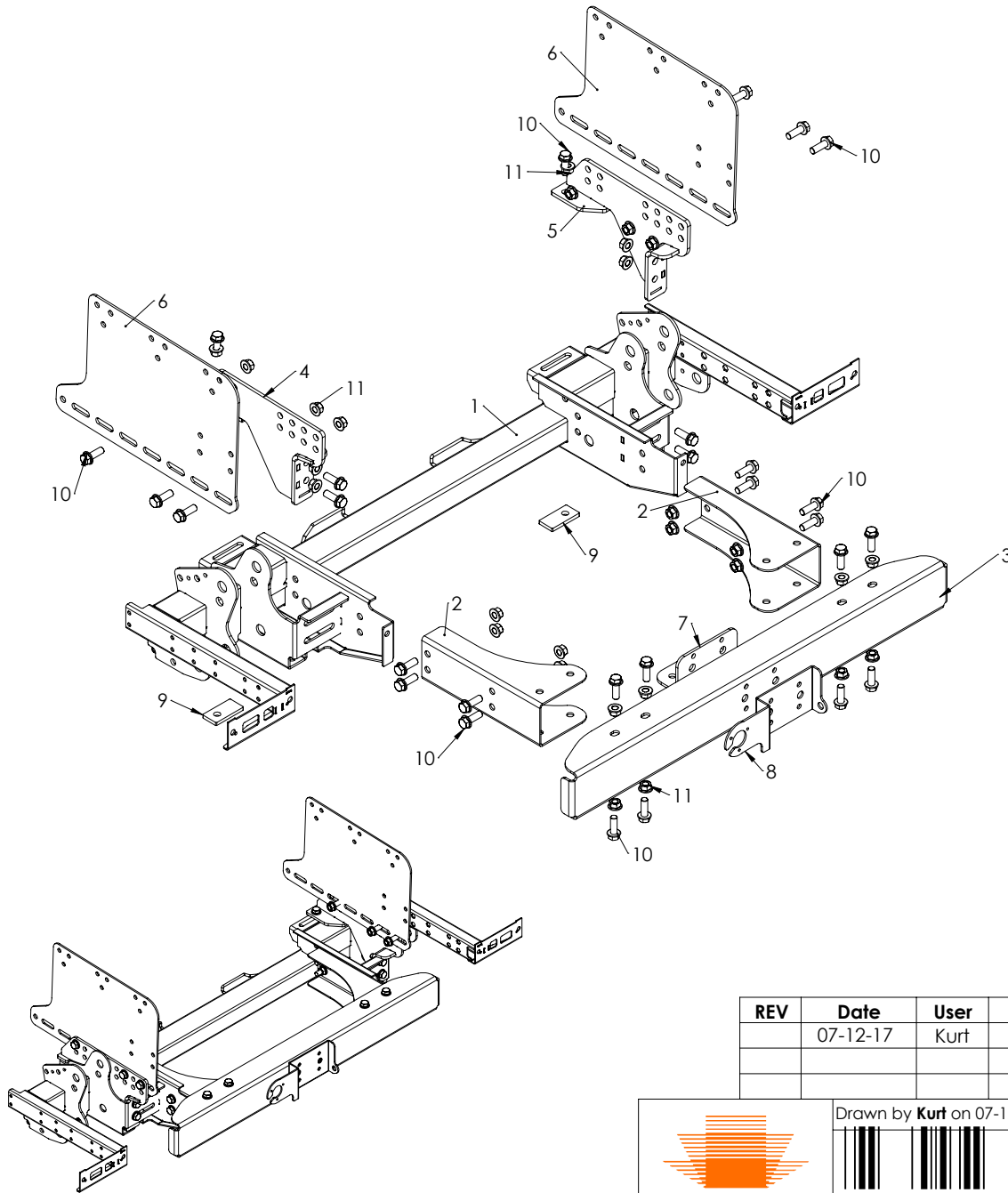


Sales article:



Ref	Workpiece	Purch. Art.	Sales Art.	Description	QTY
1	XF.LM.08.02.1200.115.1460.U			frame LM.08.02 ca1200	1
2	XT.S.MI.F.0347.U			steun trekhaak LM.08.02	2
3	XT.S.MB.F.11110.U			trekhaak LM.08.02-1200cc	1
4	MM.9.XI.08.L			spacer quick mounting LM.08.02-LEFT	1
5	MM.9.XI.08.R			spacer quick mounting LM.08.02-RIGHT	1
6	10106			Mounting plate towing hook LM.08	2
7	8249.G			adjusting plate towing hook LM.10	1
8	8489			plate plug tow hook	1
9	10363				2
10		BTFF14.040	BTFF14.040	Bolt flange M14x1.5x40 Metric Fine	28
11		BMFF14	BMFF14	Nut flange M14x1.5	28

REV	Date	User	Grid	Description
	07-12-17	Kurt	/	New file



Drawn by Kurt on 07-12-17



Description:

Size: **A4** Sales Article:
Scale: **1:9**

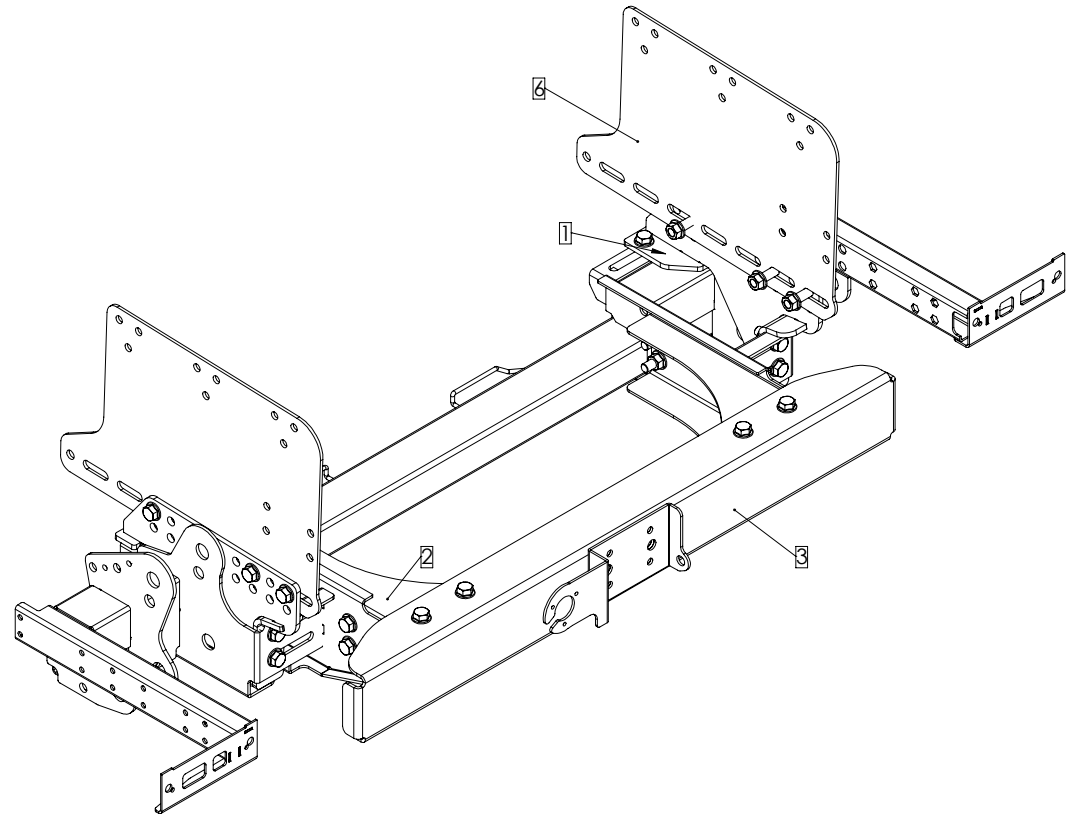
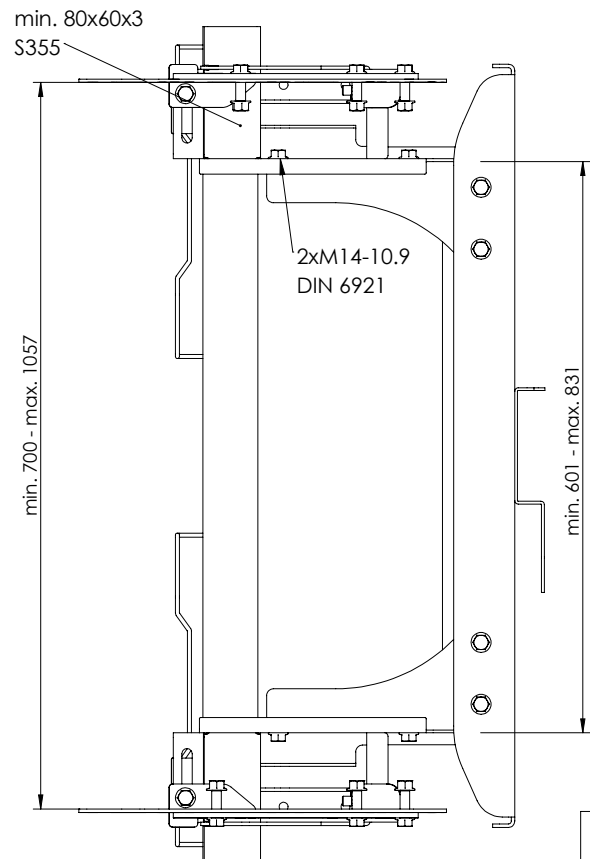
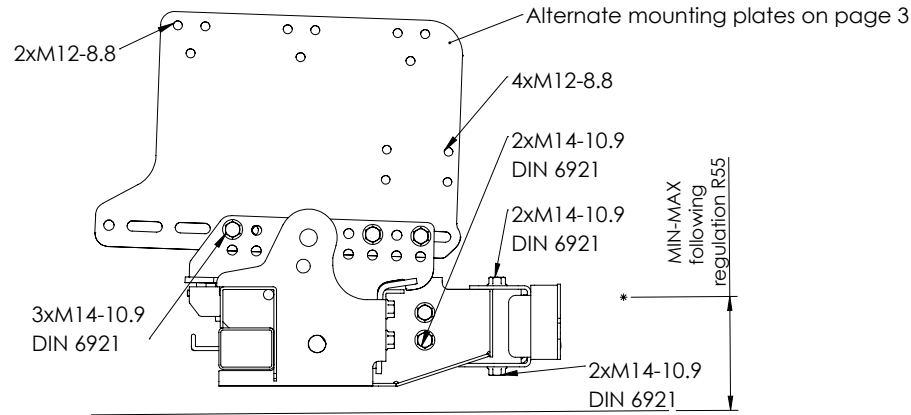
TWH0019.SK

Rev.:



Workpiece: **TWH0019.SK**

Purchased Article:

Sales article:

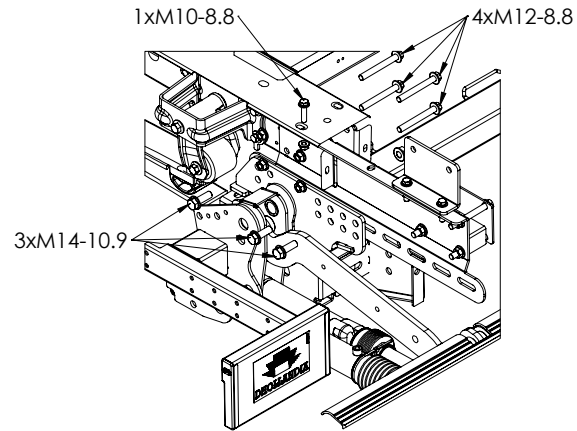


Nothing can and may be copied from this drawing.

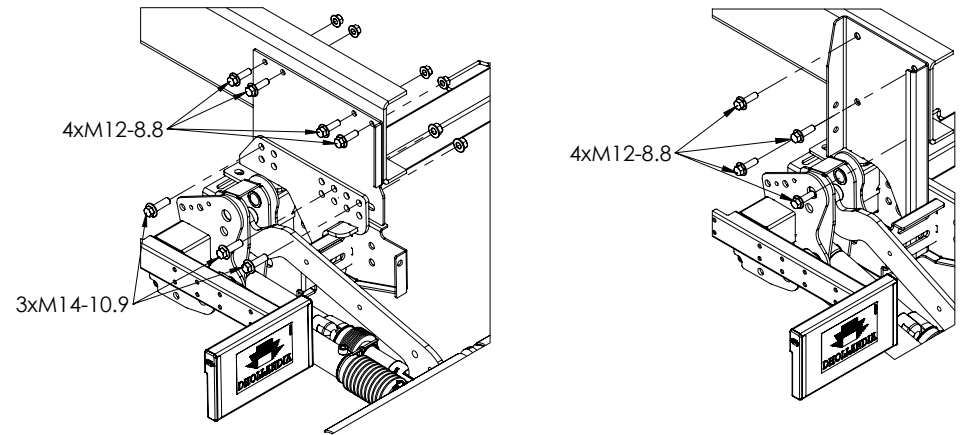
 DHOLLANDIA	Drawn by Kurt on 07-12-17	Description:	
	 * V *	Size: A4 Sales Article: Scale: 1:11	TWH0019.SK
		Workpiece: TWH0019.SK	
		Purchased Article:	
			Page: 2 OF 3

TWH0019.SK

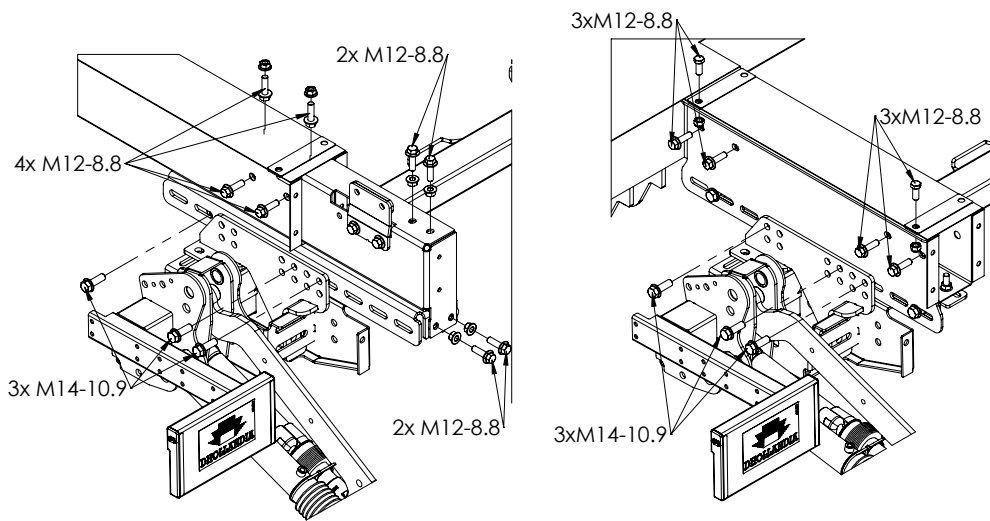
Version-Ford



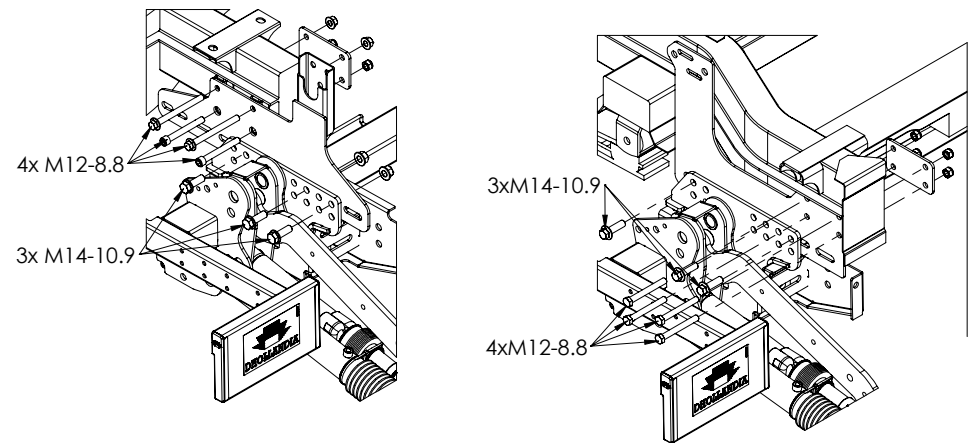
Version-U-Profile



Version-Renault/Nissan/Opel



Version-Mercedes/Hyundai



Drawn by **jave** on 31-10-18



Description:

Size: **A4**
Scale: **1:15**

Sales Article:

TWH0019.SK

Rev.: