

LM.08-INFO OAF103(.B)

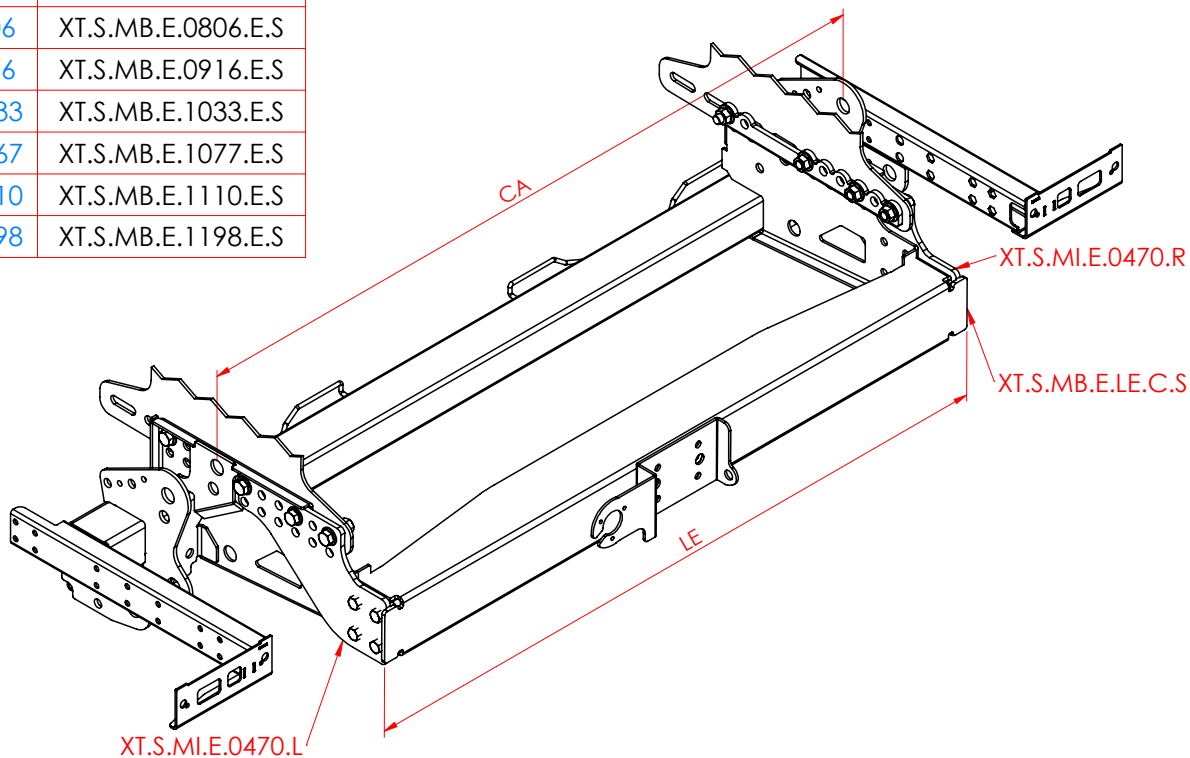


DHOLLANDIA

Use: **LM.08**

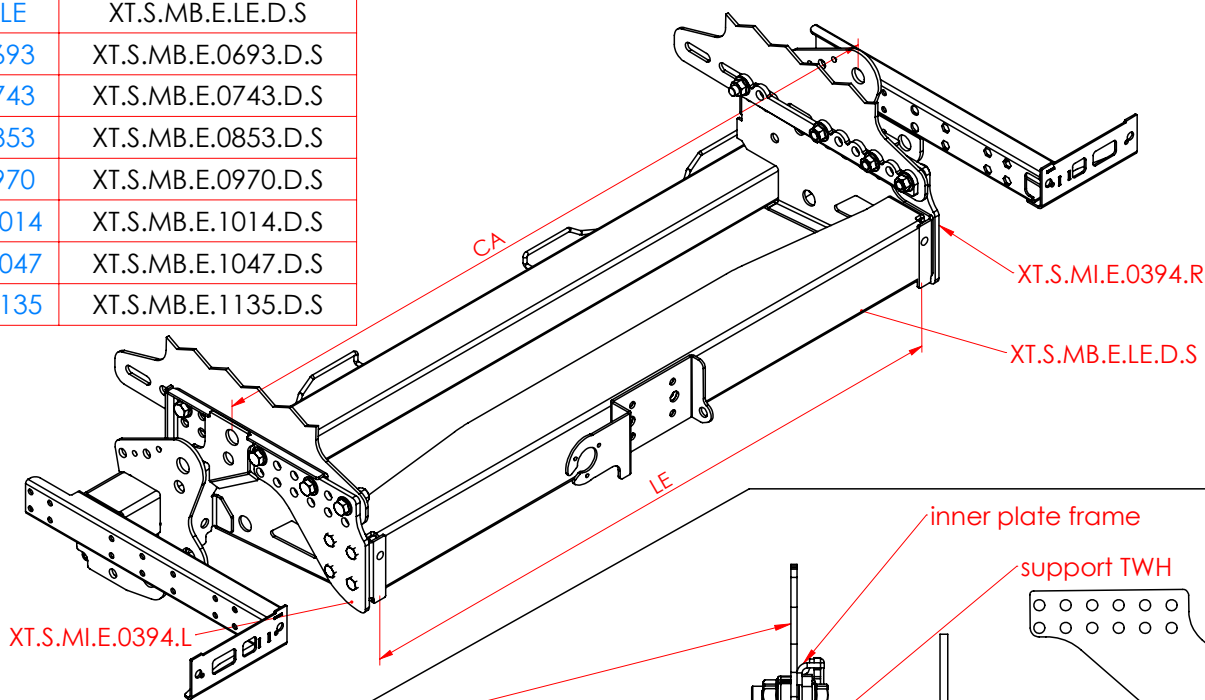
OAF103

CA	LE	XT.S.MB.E.LE.E.S
846	756	XT.S.MB.E.0756.E.S
896	806	XT.S.MB.E.0806.E.S
1006	916	XT.S.MB.E.0916.E.S
1123	1033	XT.S.MB.E.1033.E.S
1167	1167	XT.S.MB.E.1077.E.S
1200	1110	XT.S.MB.E.1110.E.S
1288	1198	XT.S.MB.E.1198.E.S

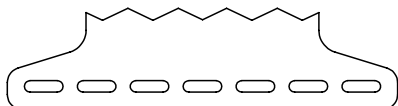


OAF103.B

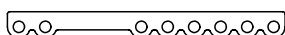
CA	LE	XT.S.MB.E.LE.D.S
846	693	XT.S.MB.E.0693.D.S
896	743	XT.S.MB.E.0743.D.S
1006	853	XT.S.MB.E.0853.D.S
1123	970	XT.S.MB.E.0970.D.S
1167	1014	XT.S.MB.E.1014.D.S
1200	1047	XT.S.MB.E.1047.D.S
1288	1135	XT.S.MB.E.1135.D.S



mounting plate MM.9.*



fixing plate TWH



inner plate frame

support TWH

