

MM.9.V02.S- Mounting instructions

Volkswagen Crafter >2017

RWD | Single Wheel | **WB=ALL** | **OV=1270mm**

MAN TGE >2017

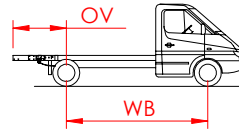
RWD | Single Wheel | **WB=ALL** | **OV=1270mm**

Volkswagen Crafter >2017

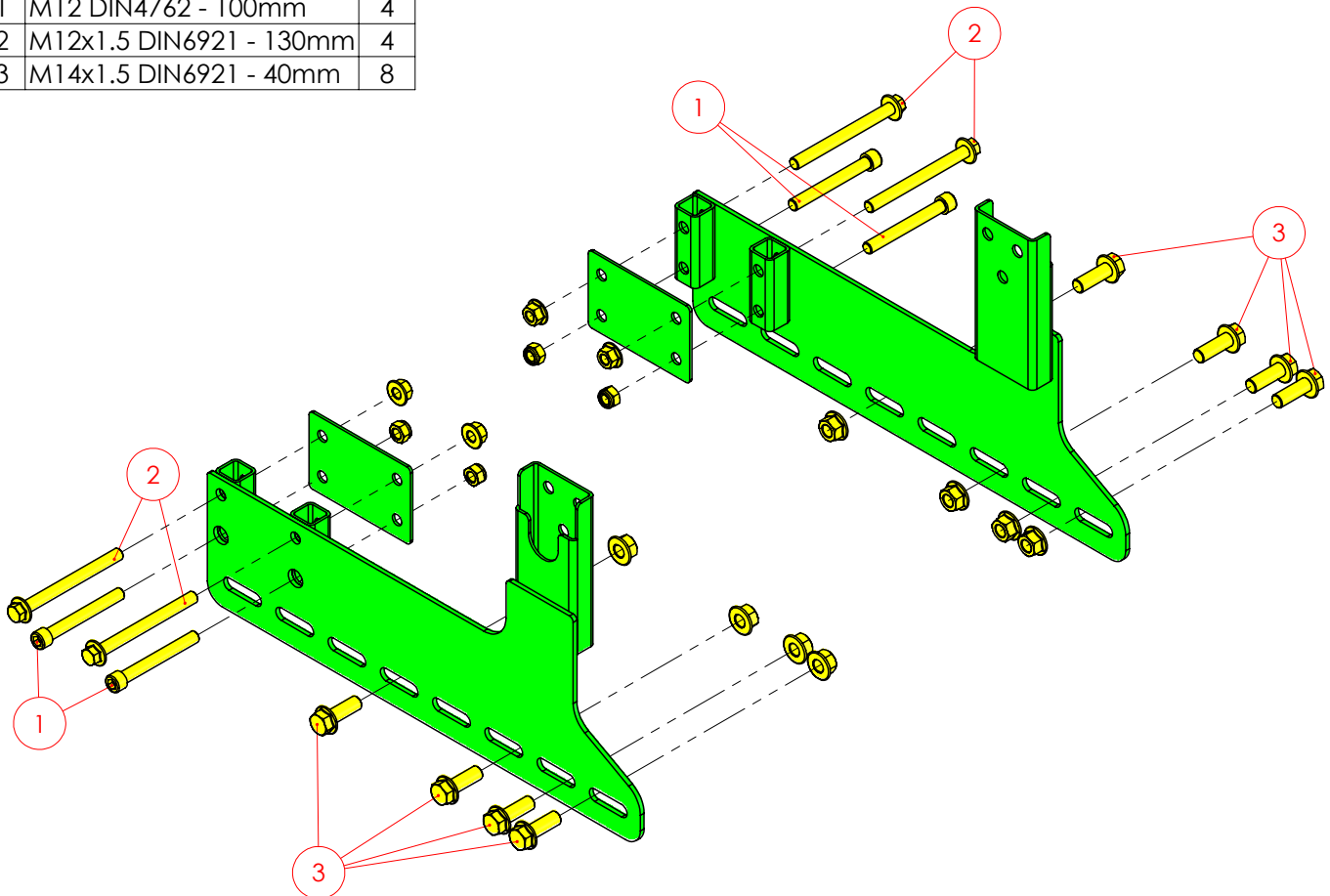
RWD | Double Wheel | **WB=ALL** | **OV=1270mm**

MAN TGE >2017

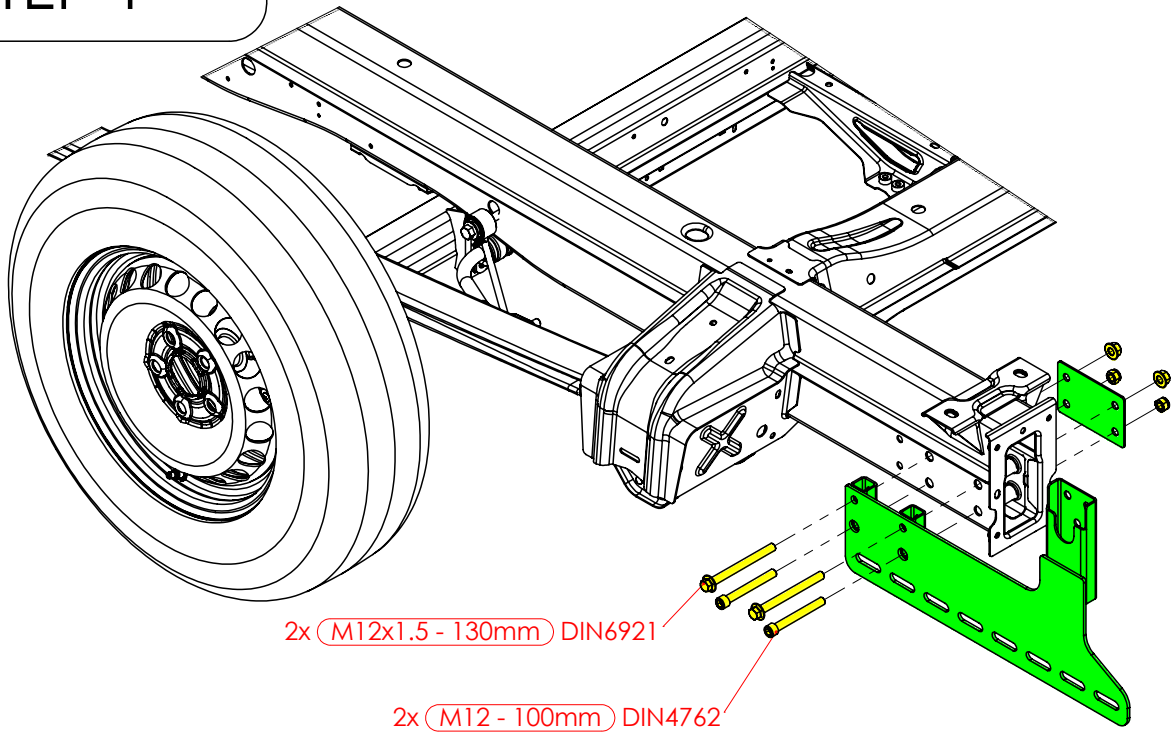
RWD | Double Wheel | **WB=ALL** | **OV=1270mm**



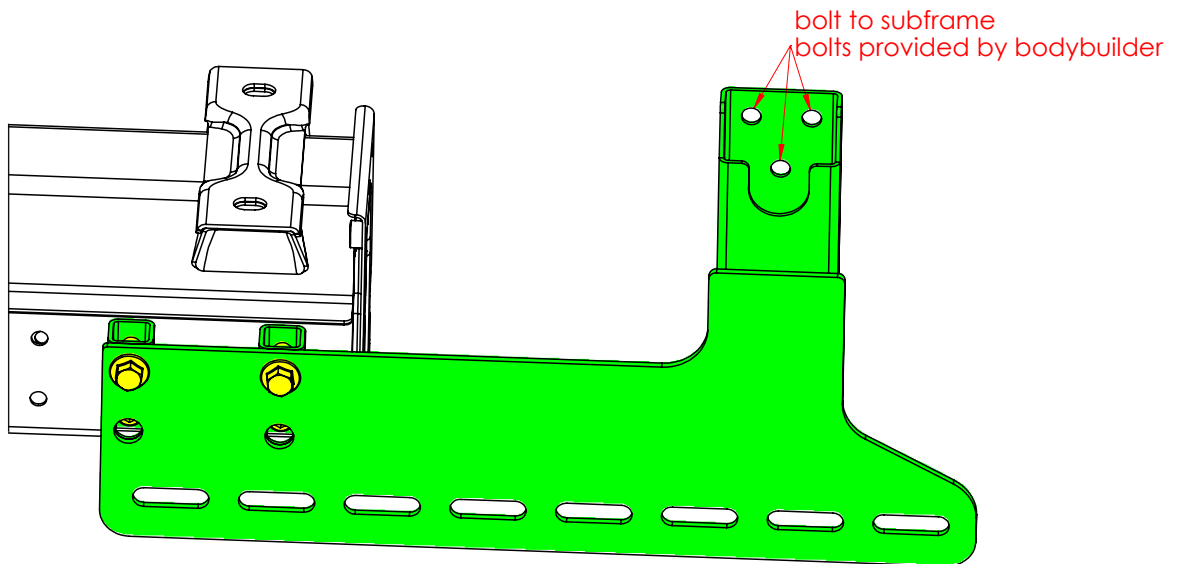
Ref	Bolts	QTY
1	M12 DIN4762 - 100mm	4
2	M12x1.5 DIN6921 - 130mm	4
3	M14x1.5 DIN6921 - 40mm	8



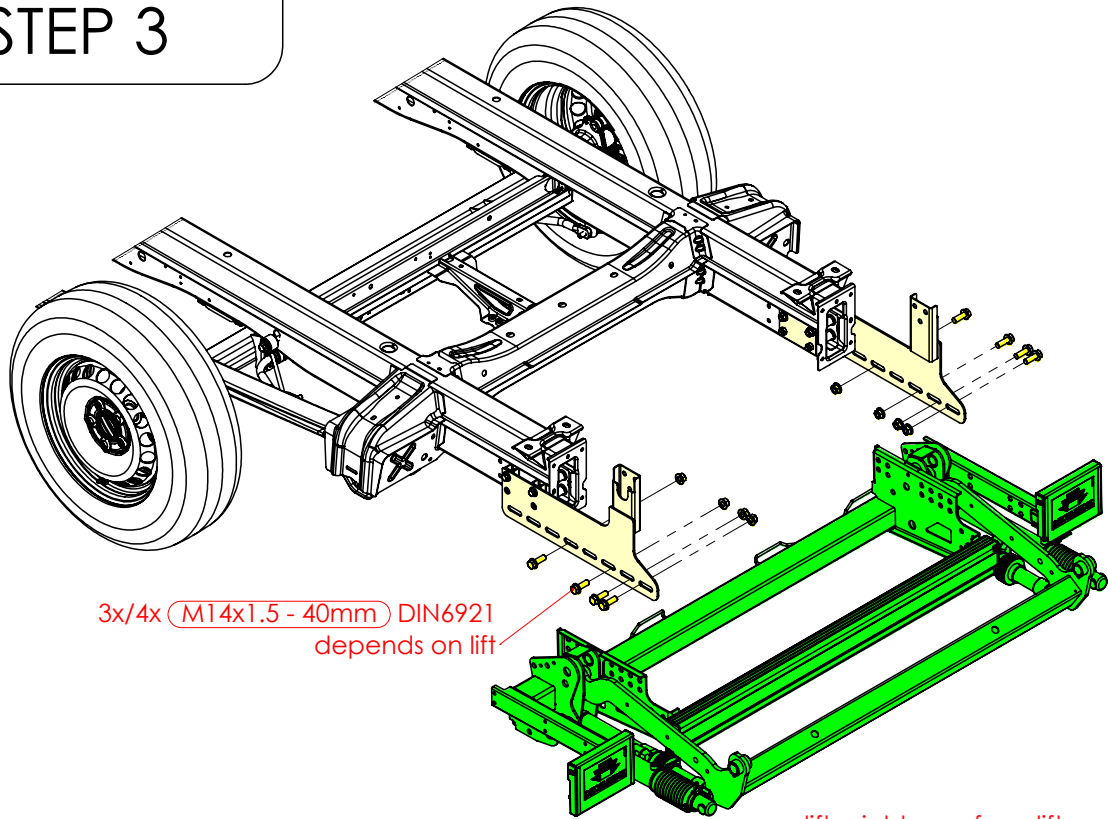
STEP 1



STEP 2



STEP 3



Overview

