

MM.9.R16.S- Mounting instructions

Renault Master

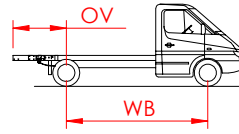
RWD | Single/Double Wheel | **WB=ALL** | **OV=ALL**

Opel Movano X62

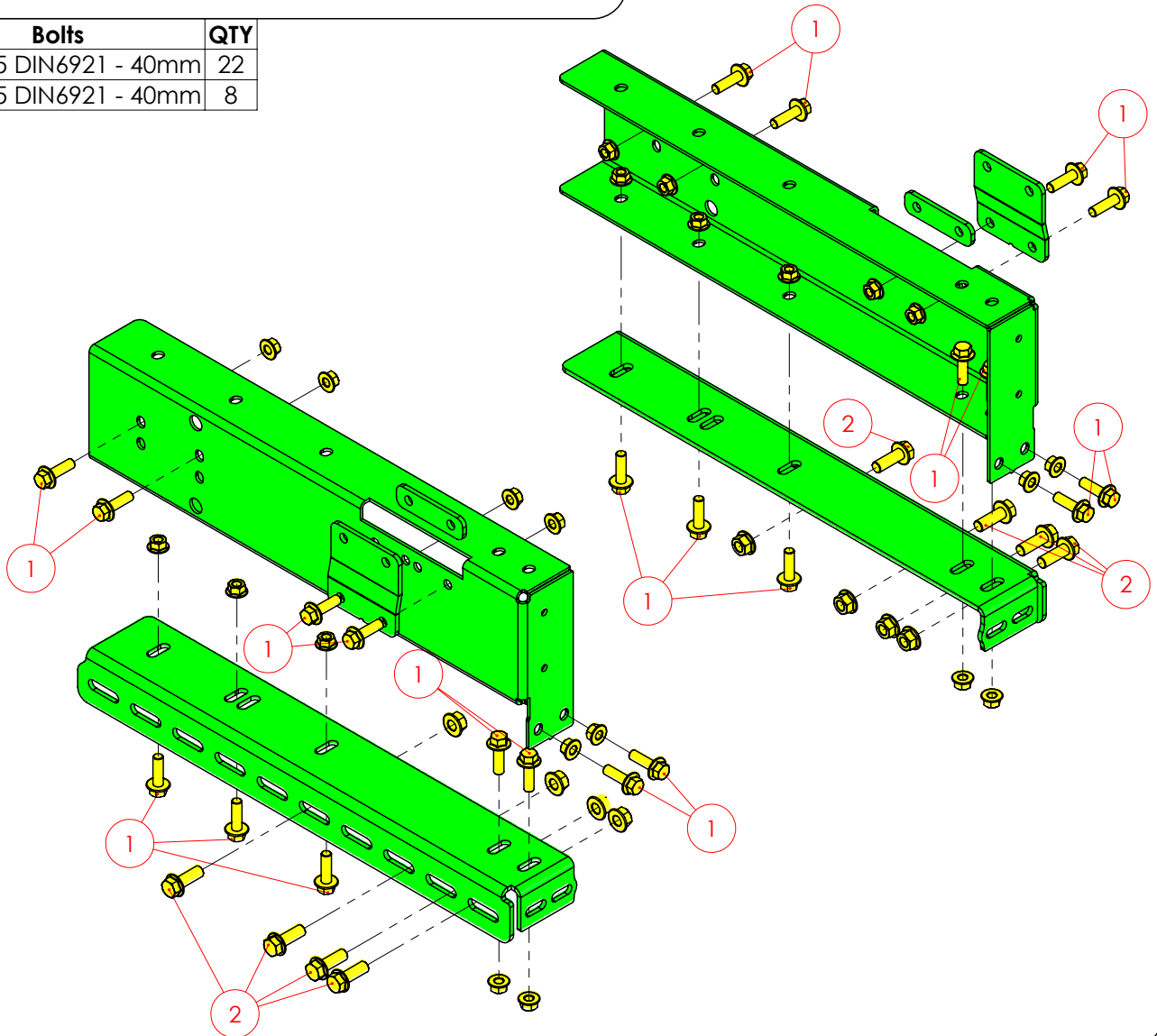
RWD | Single/Double Wheel | **WB=ALL** | **OV=ALL**

Nissan NV400

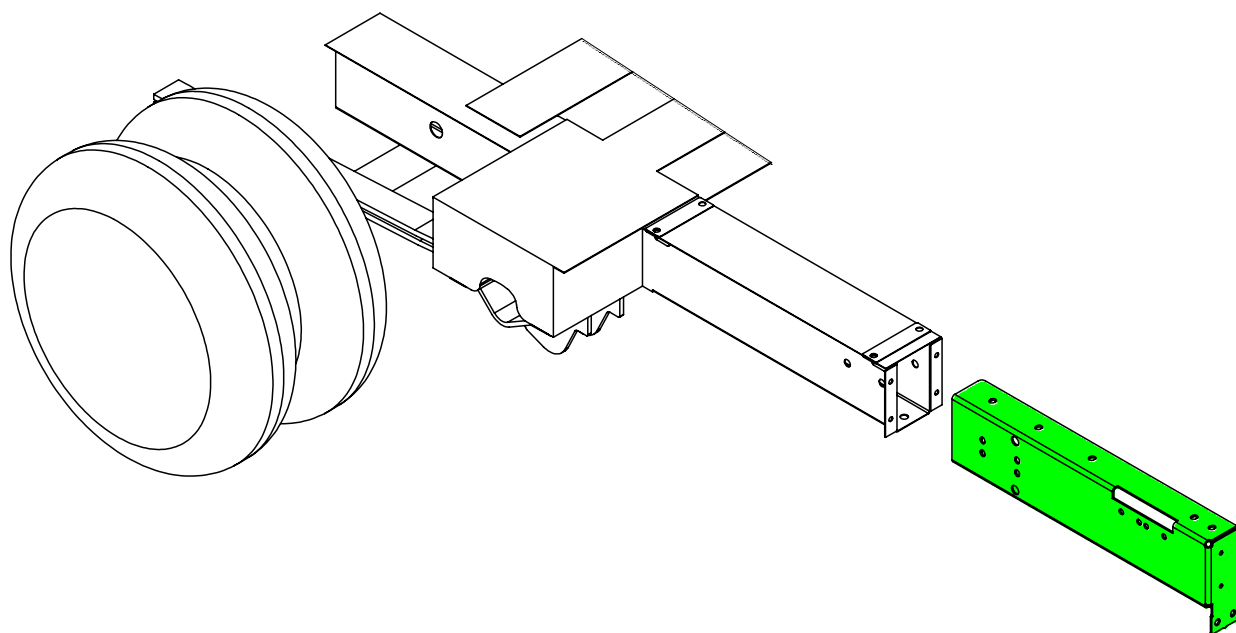
RWD | Single/Double Wheel | **WB=ALL** | **OV=ALL**



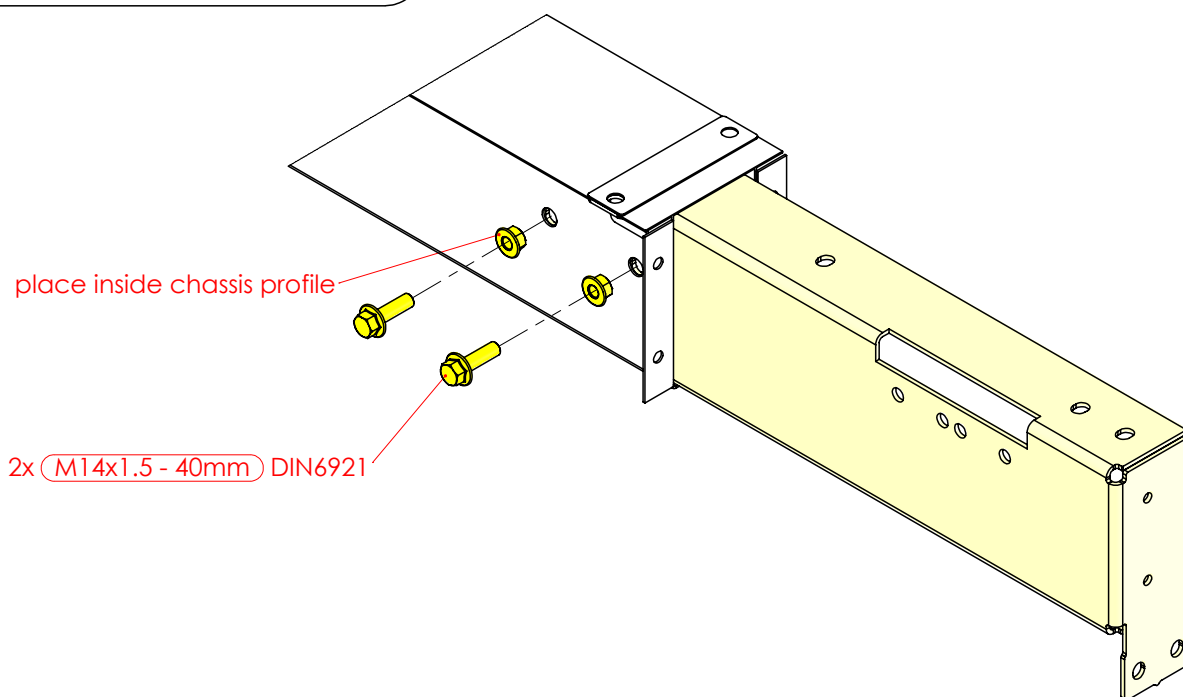
Ref	Bolts	QTY
1	M12x1.5 DIN6921 - 40mm	22
2	M14x1.5 DIN6921 - 40mm	8



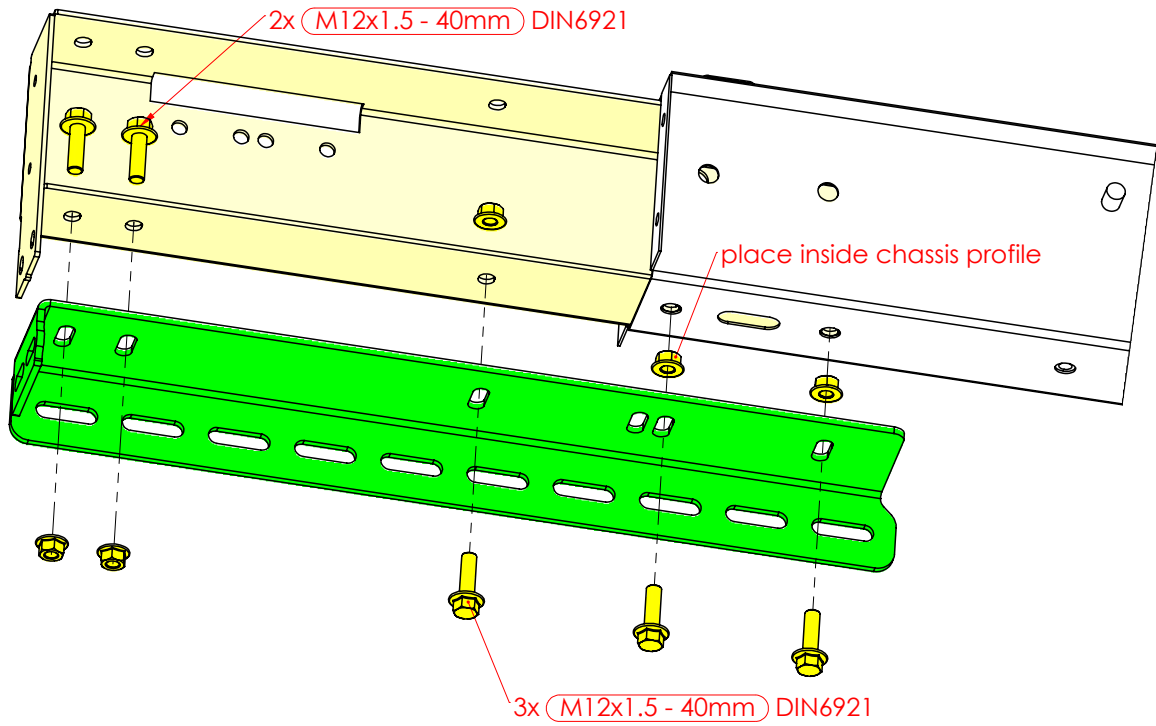
STEP 1



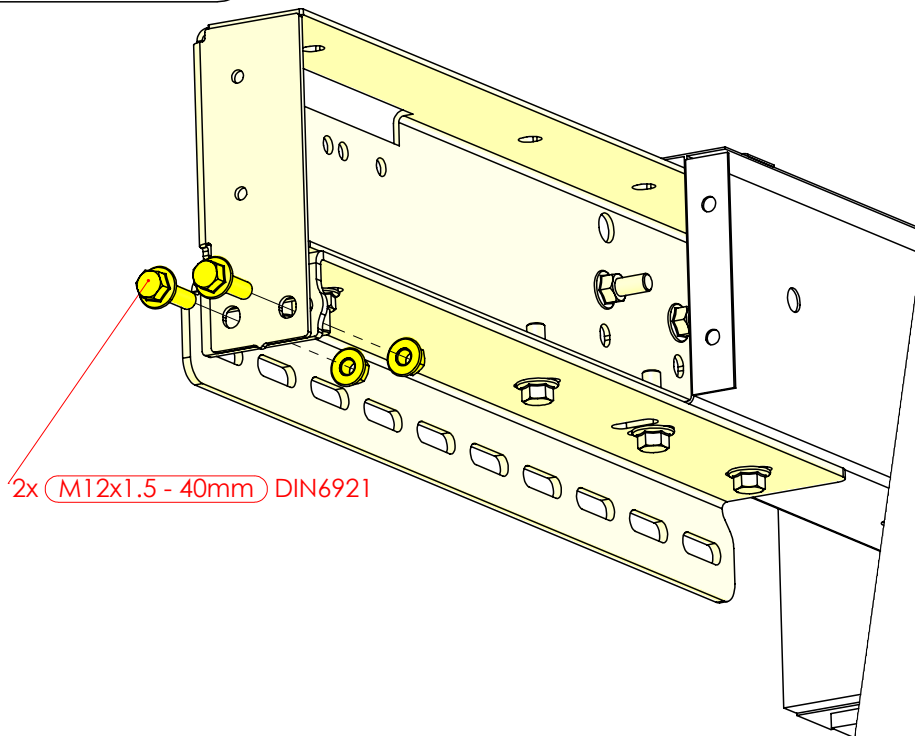
STEP 2



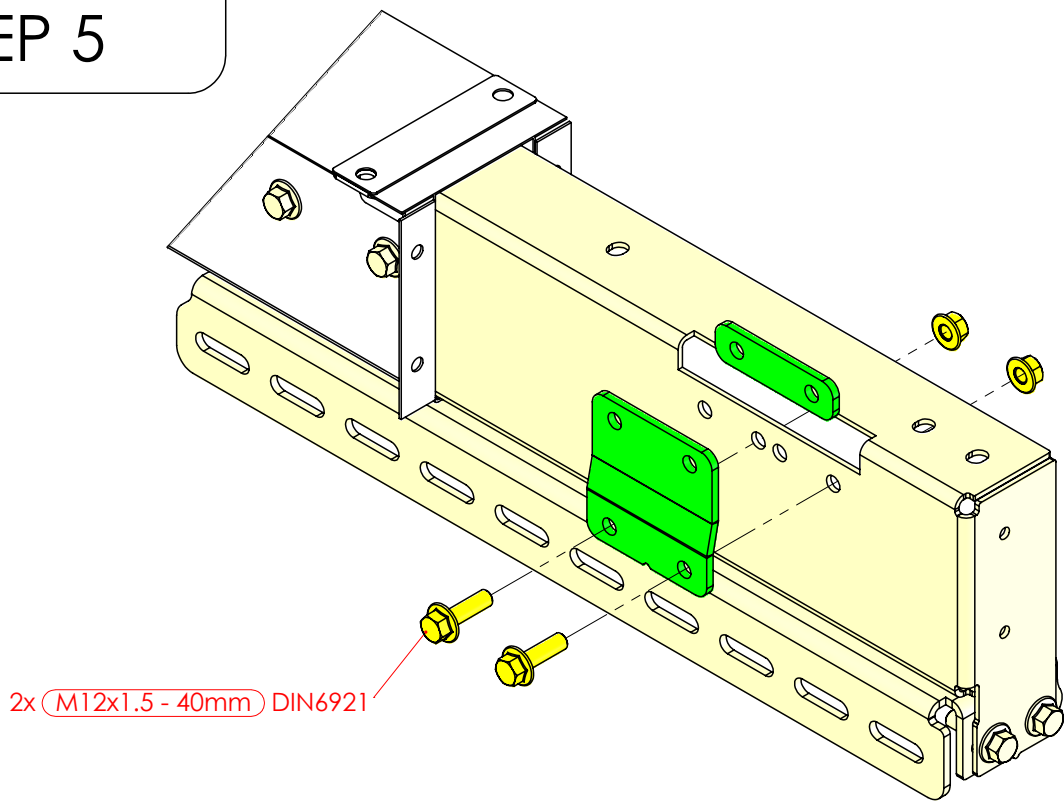
STEP 3



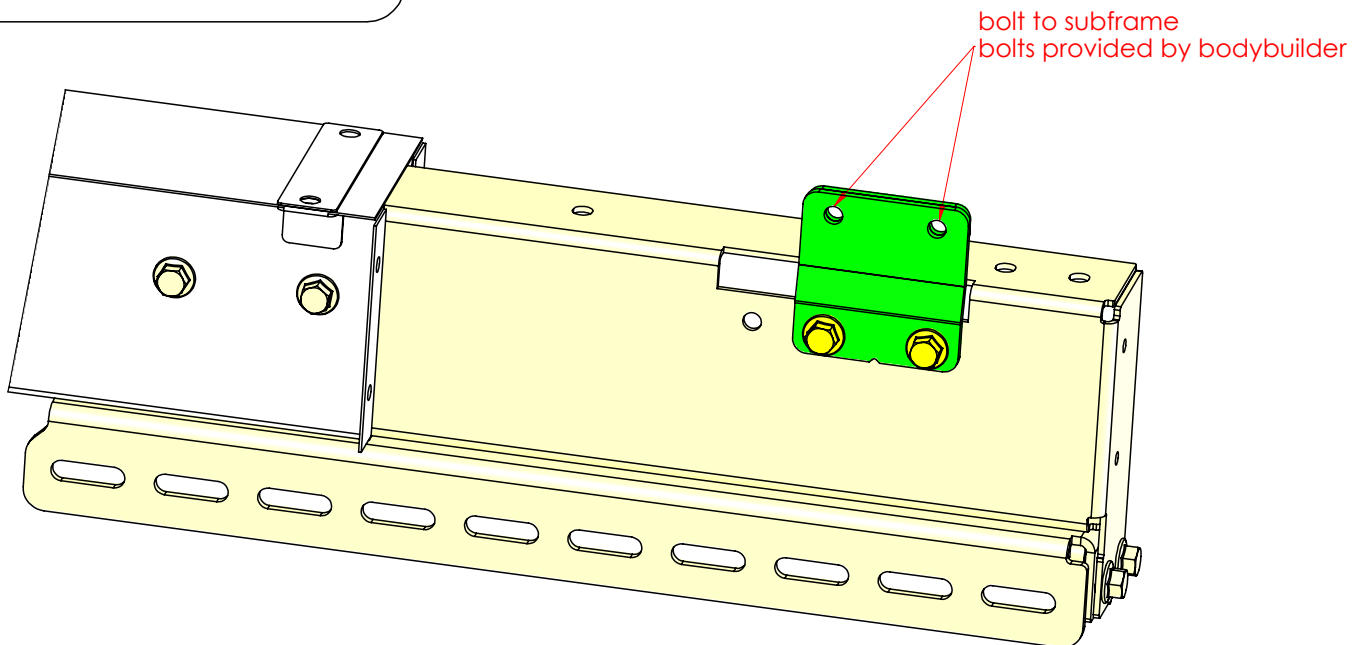
STEP 4



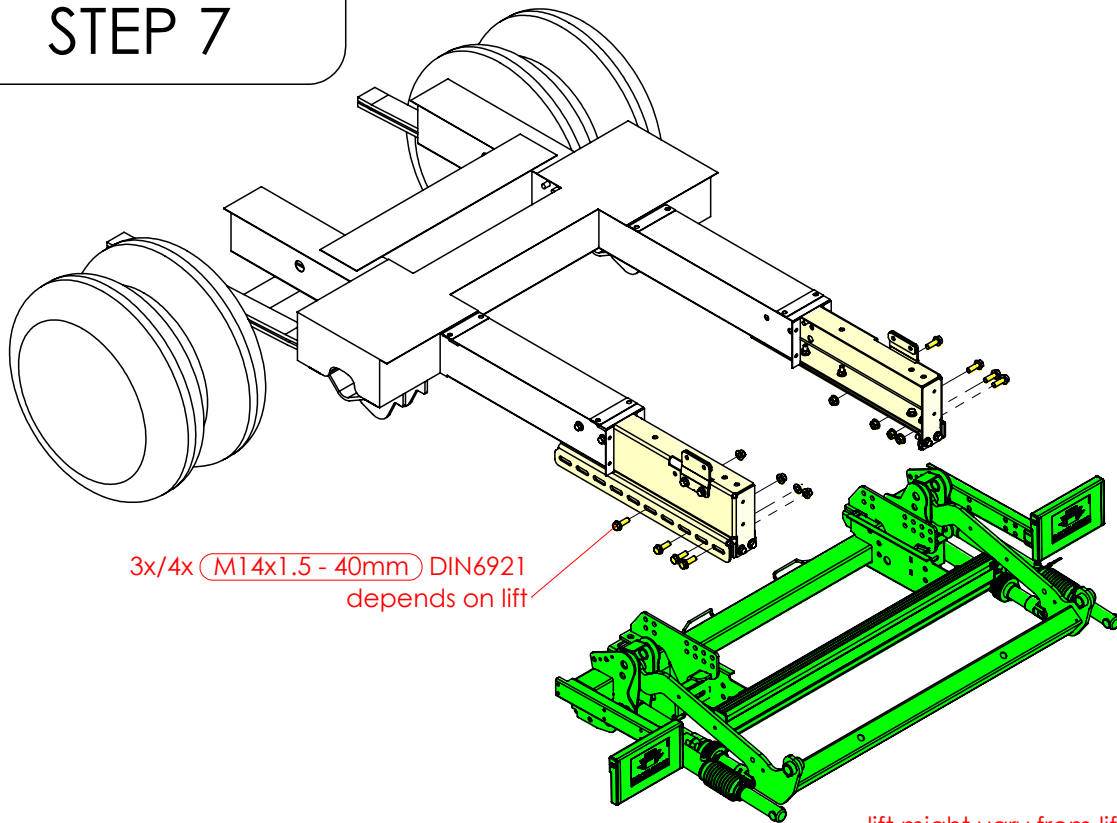
STEP 5



STEP 6

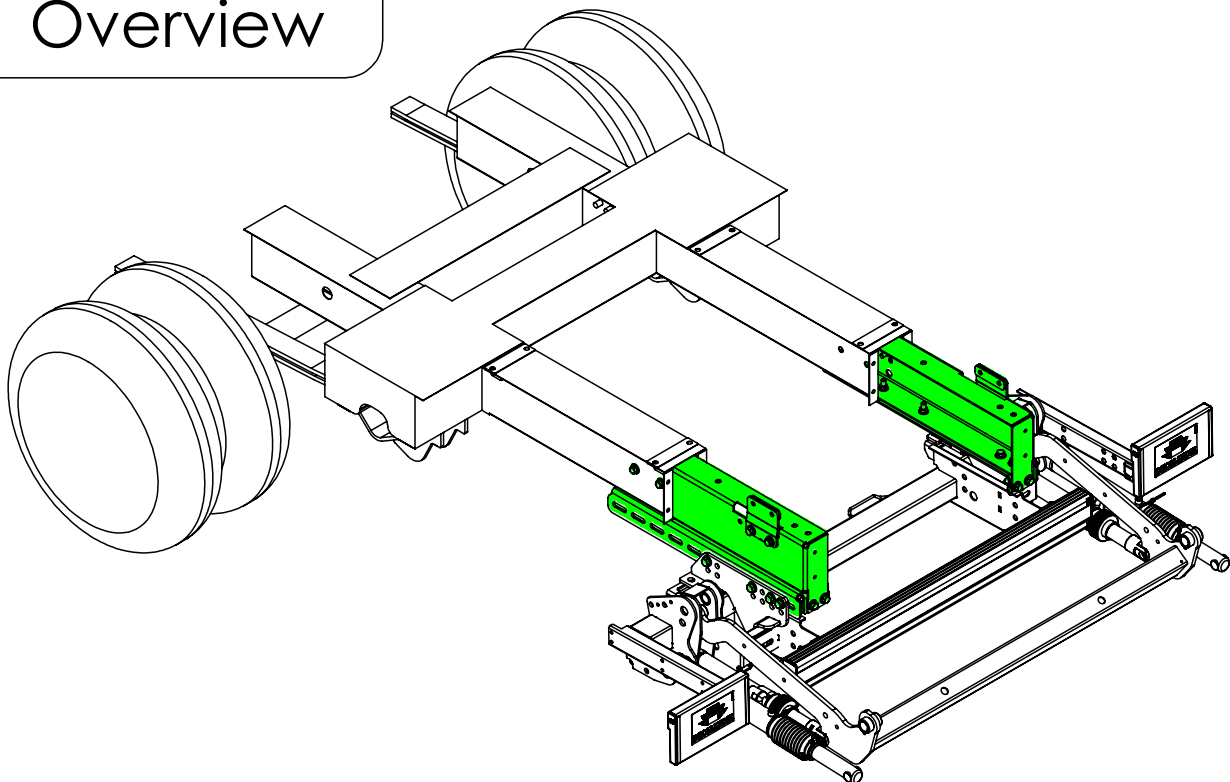


STEP 7



lift might vary from lift on drawing

Overview



lift might vary from lift on drawing

