

# MM.9.P08.480.S- Mounting instructions

## Peugeot Boxer

RWD | Single Wheel | **WB=ALL** | **OV=1225mm**

## Fiat Ducato

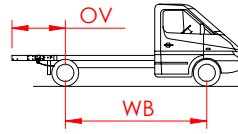
RWD | Single Wheel | **WB=ALL** | **OV=1225mm**

## Citroën Jumper

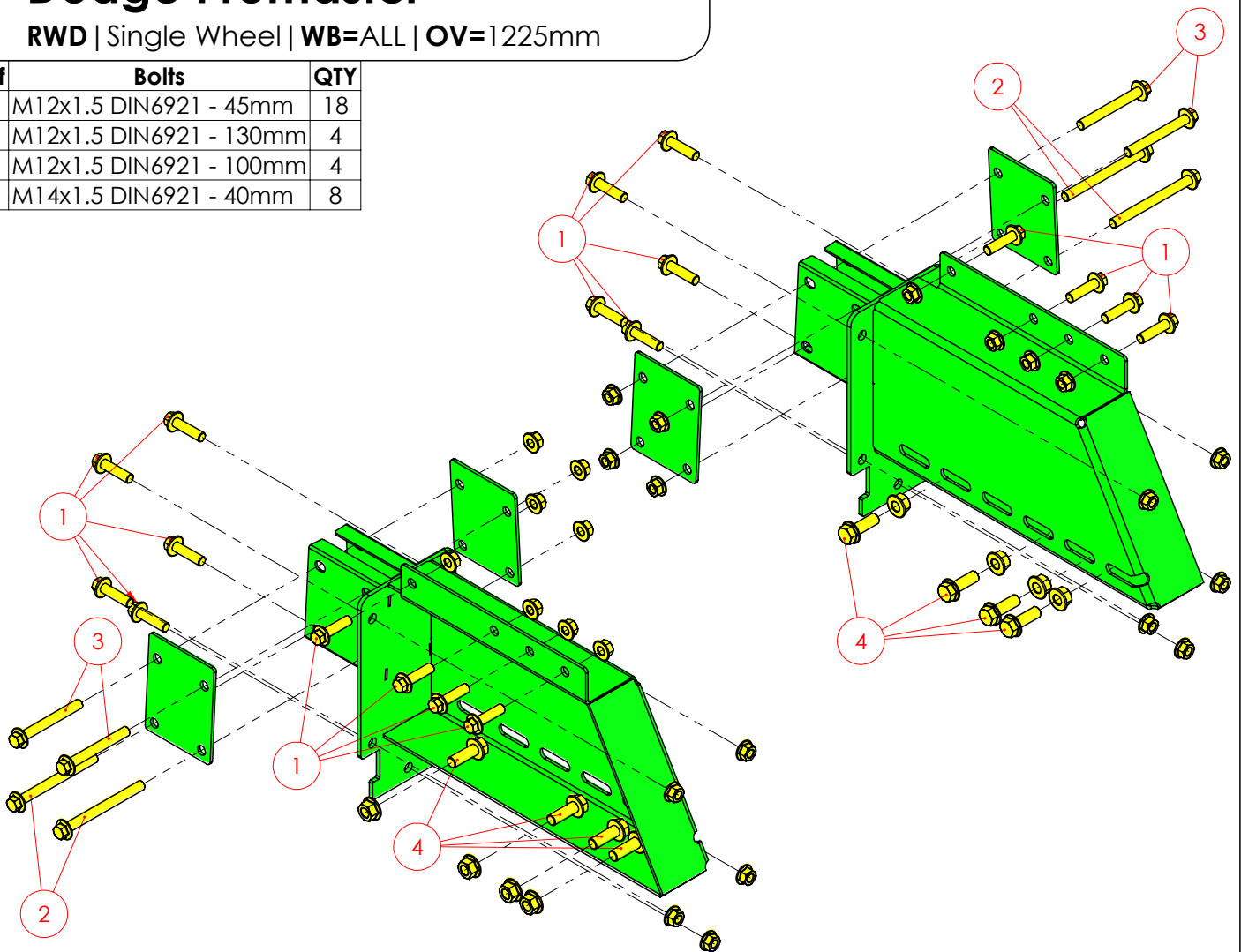
RWD | Single Wheel | **WB=ALL** | **OV=1225mm**

## Dodge Promaster

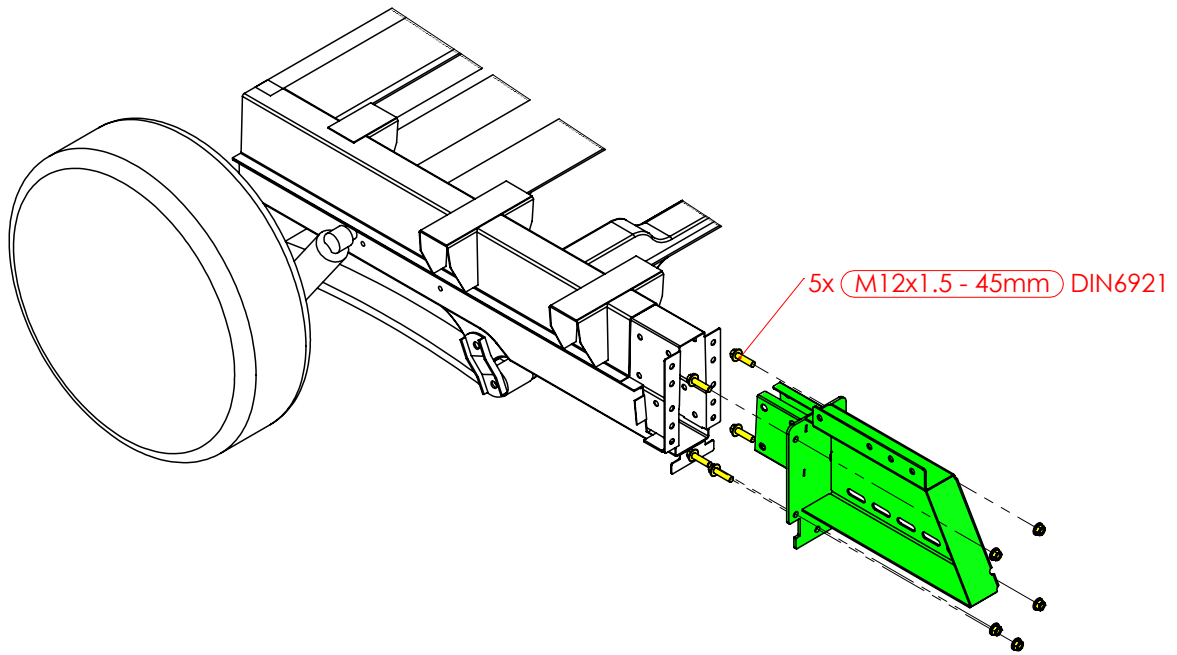
RWD | Single Wheel | **WB=ALL** | **OV=1225mm**



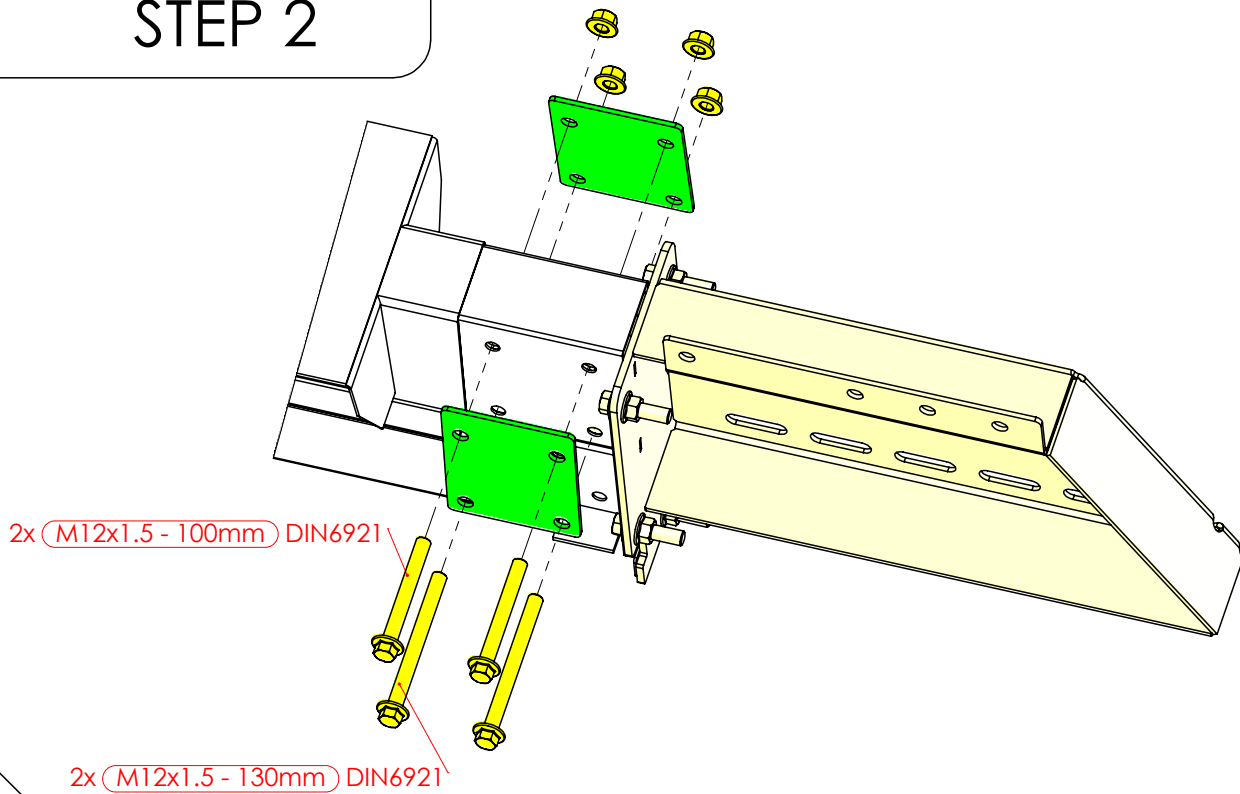
| Ref | Bolts                   | QTY |
|-----|-------------------------|-----|
| 1   | M12x1.5 DIN6921 - 45mm  | 18  |
| 2   | M12x1.5 DIN6921 - 130mm | 4   |
| 3   | M12x1.5 DIN6921 - 100mm | 4   |
| 4   | M14x1.5 DIN6921 - 40mm  | 8   |



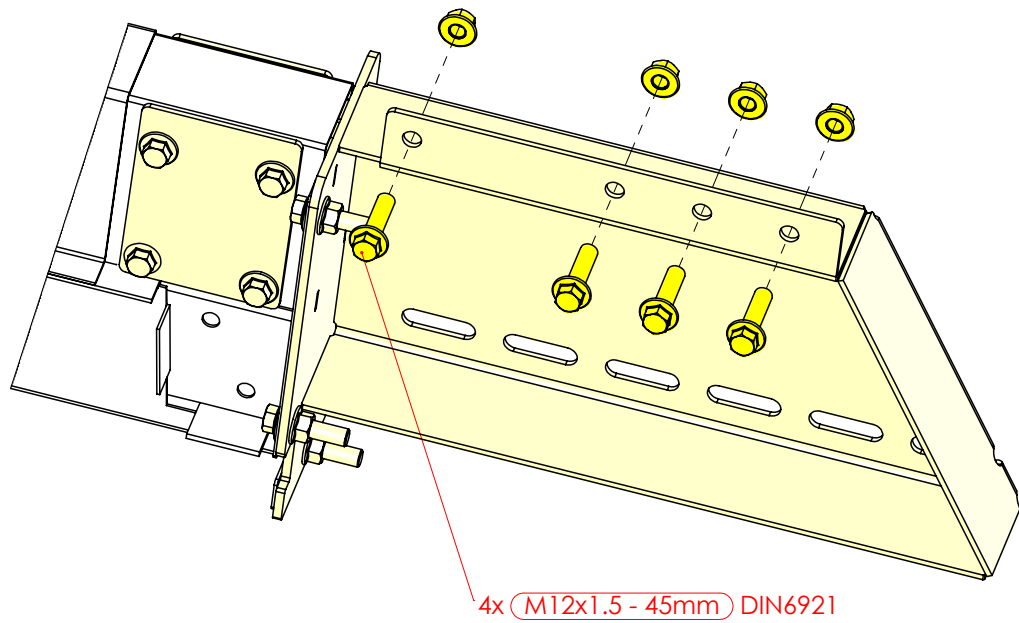
# STEP 1



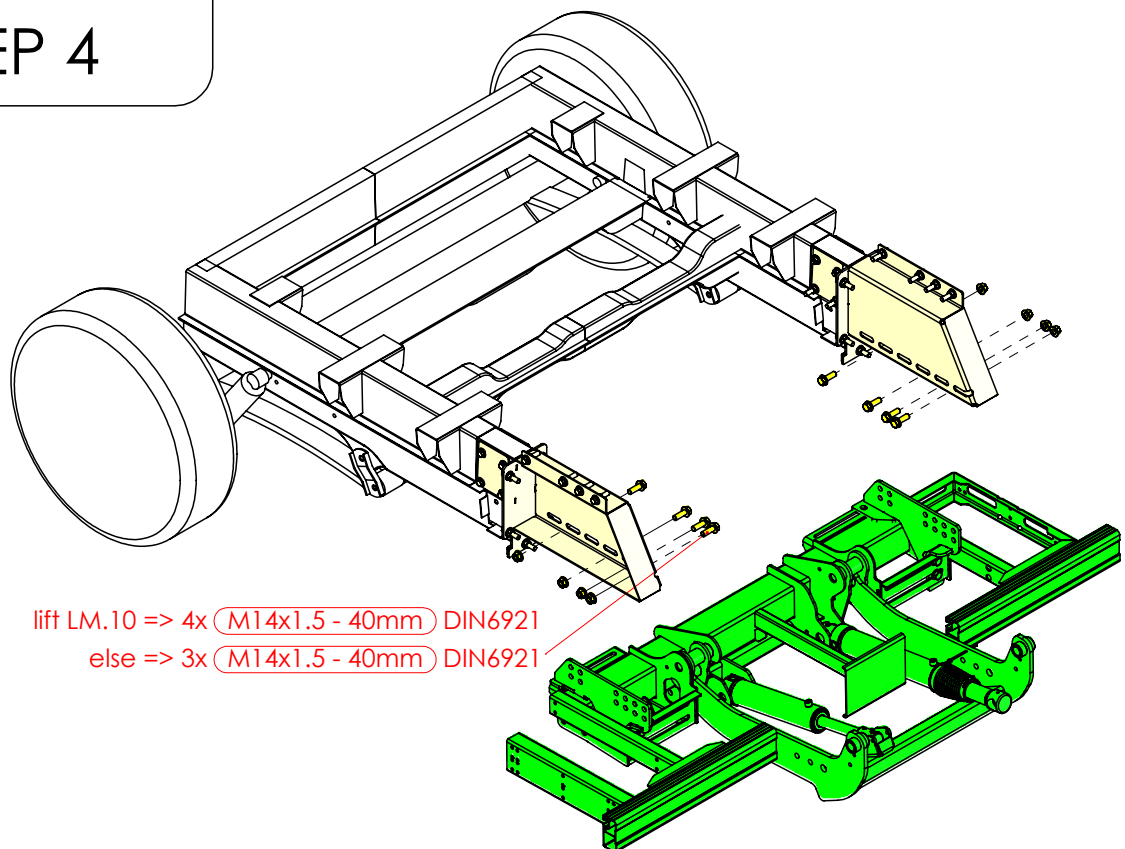
# STEP 2



## STEP 3



## STEP 4



# Overview

