

MM.9.M28.S- Mounting instructions

Mercedes Sprinter 3-Series

RWD | Single Wheel | **WB=3665mm** | **OV=1100mm**

Volkswagen Crafter <2017

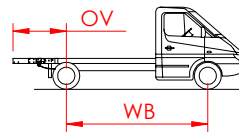
RWD | Single Wheel | **WB=3665mm** | **OV=1100mm**

Mercedes Sprinter 3-Series

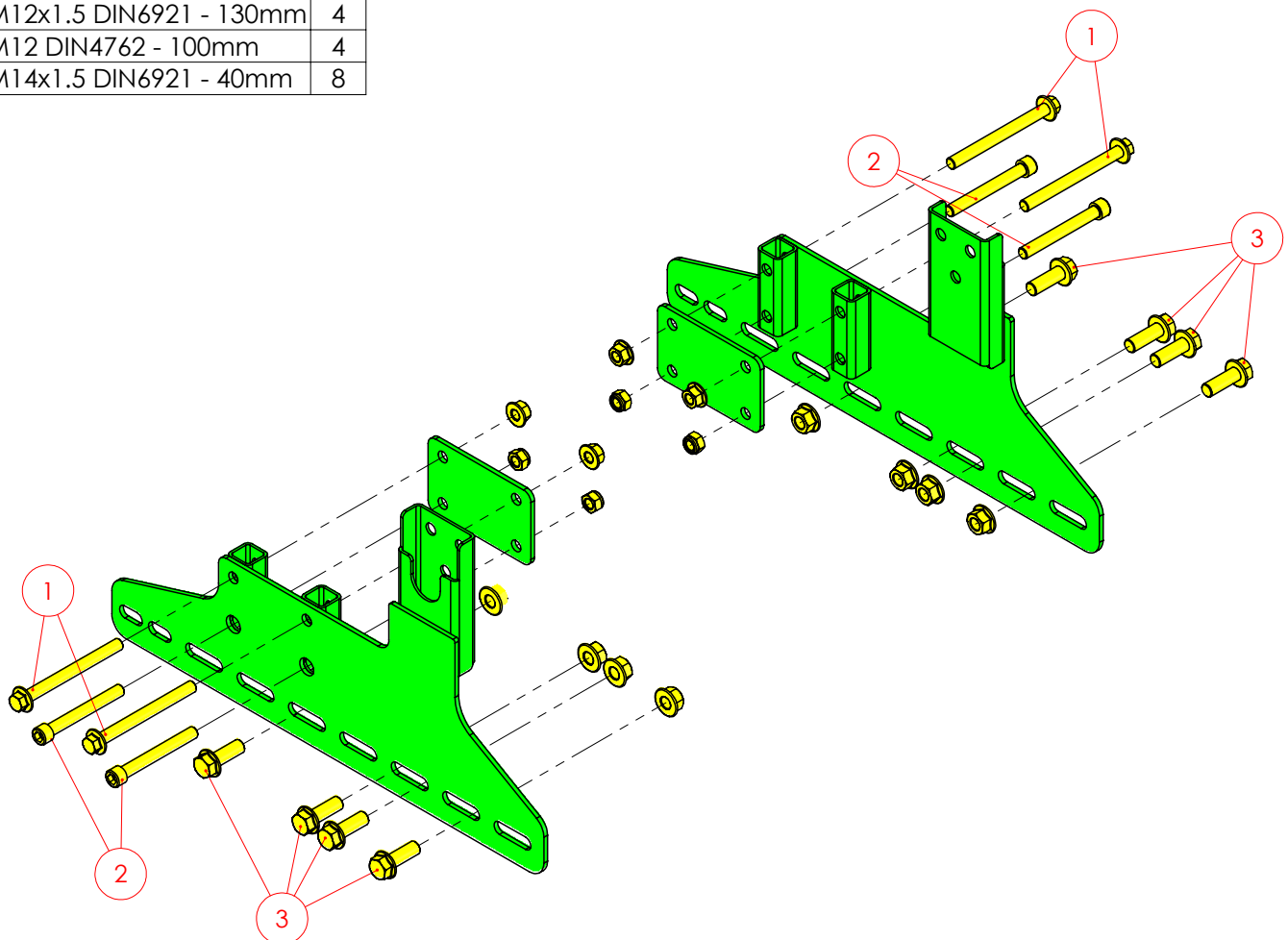
RWD | Single Wheel | **WB=4325mm** | **OV=1250mm**

Volkswagen Crafter <2017

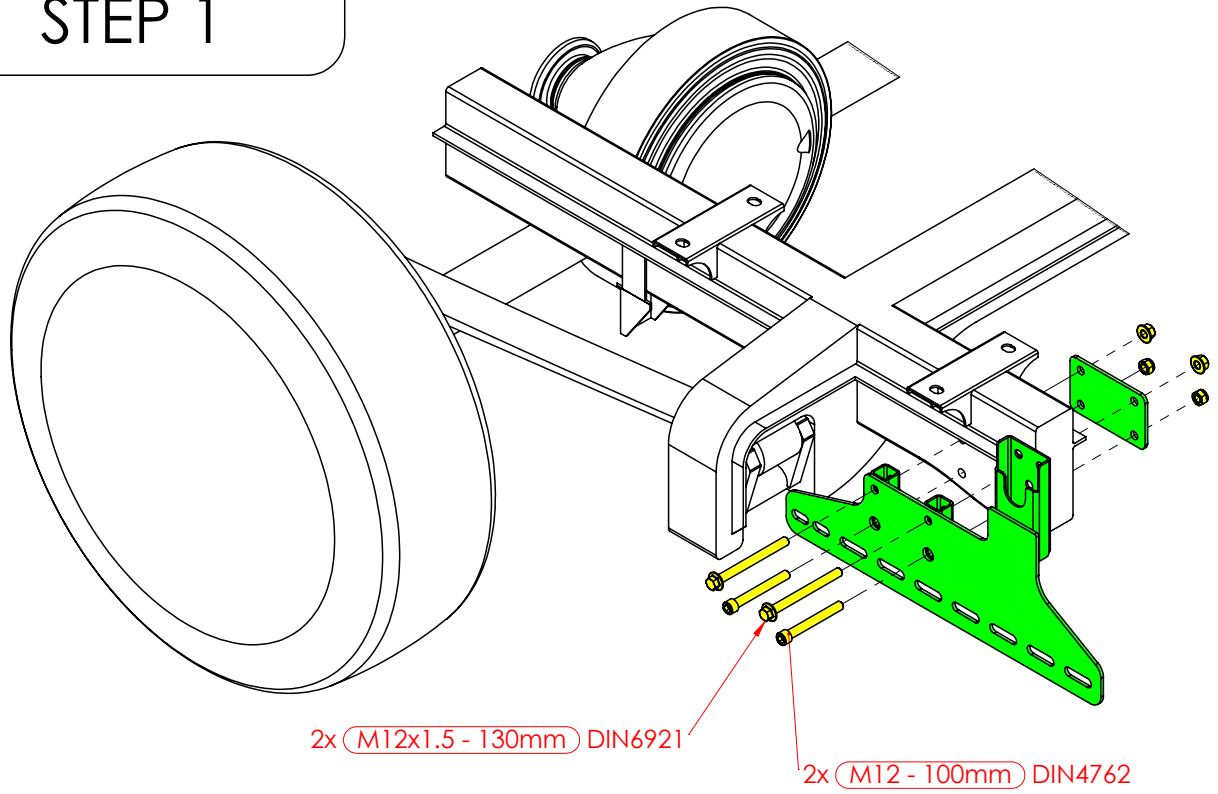
RWD | Single Wheel | **WB=4325mm** | **OV=1250mm**



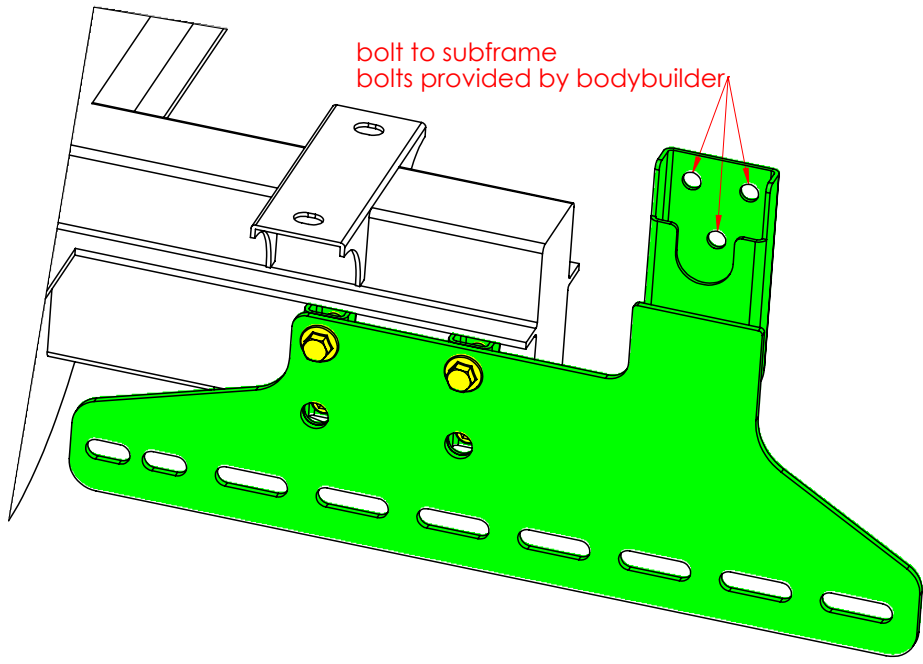
Ref	Bolts	QTY
1	M12x1.5 DIN6921 - 130mm	4
2	M12 DIN4762 - 100mm	4
3	M14x1.5 DIN6921 - 40mm	8



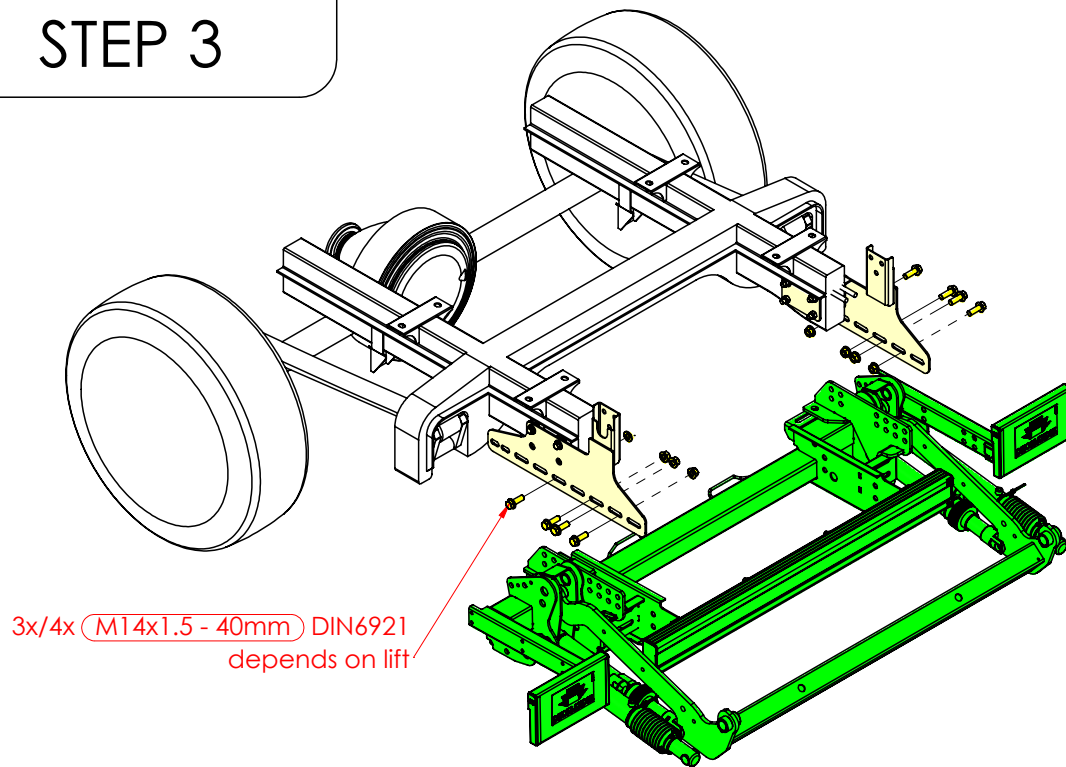
STEP 1



STEP 2



STEP 3



lift might vary from lift on drawing

Overview

