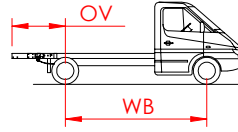


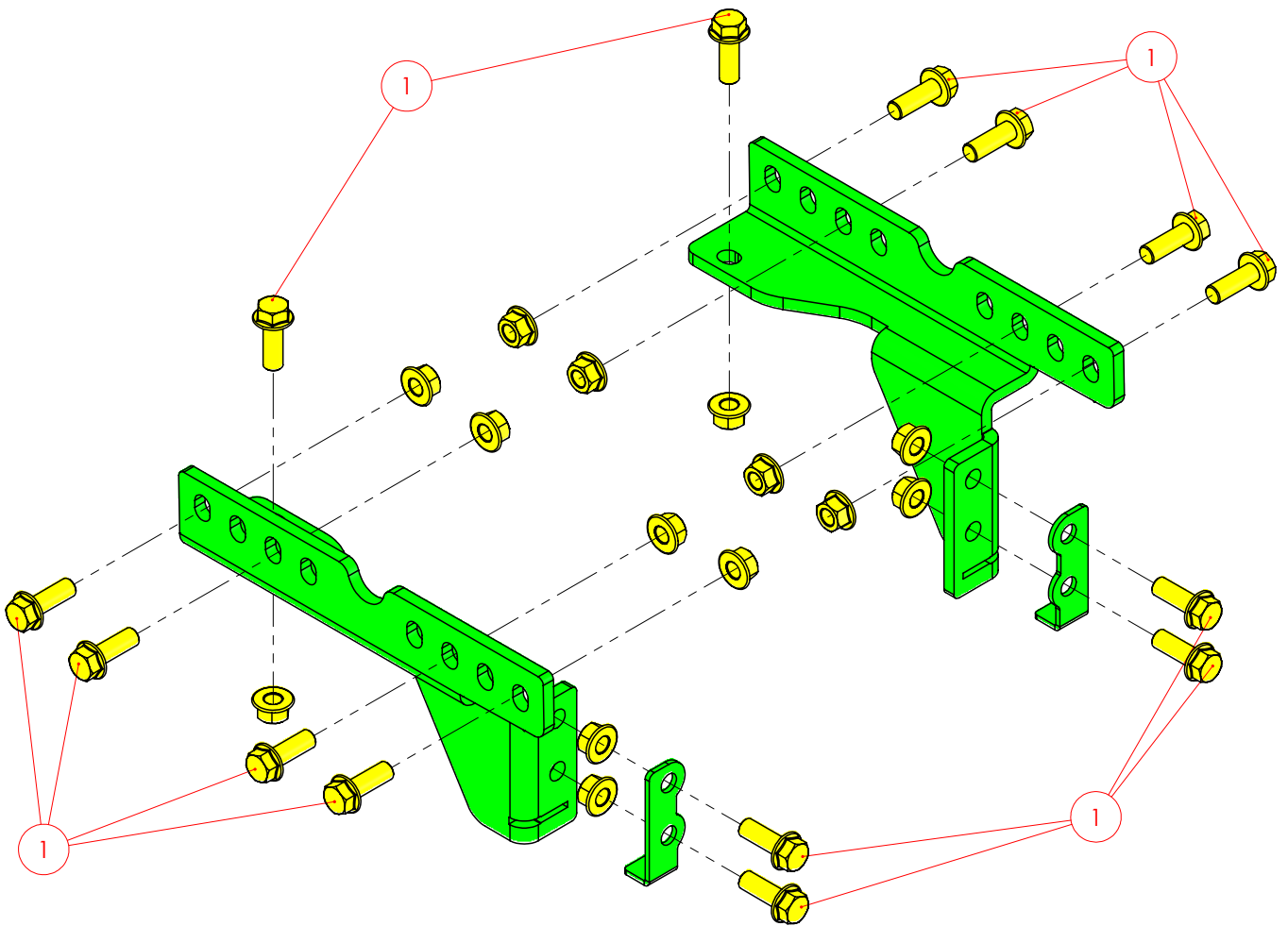
MM.9.XJ.S- Mounting instructions

LM.10.06

LEZ.10.02

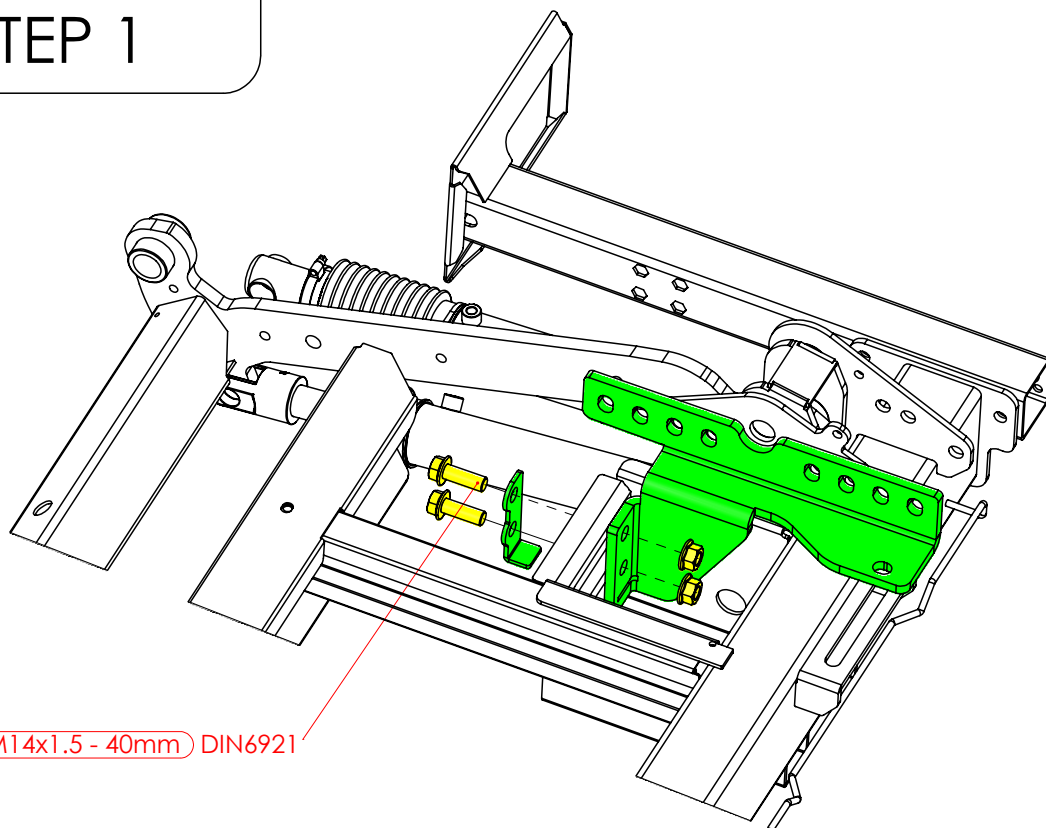


Ref	Bolts	QTY
1	M14x1.5 DIN6921 - 40mm	14



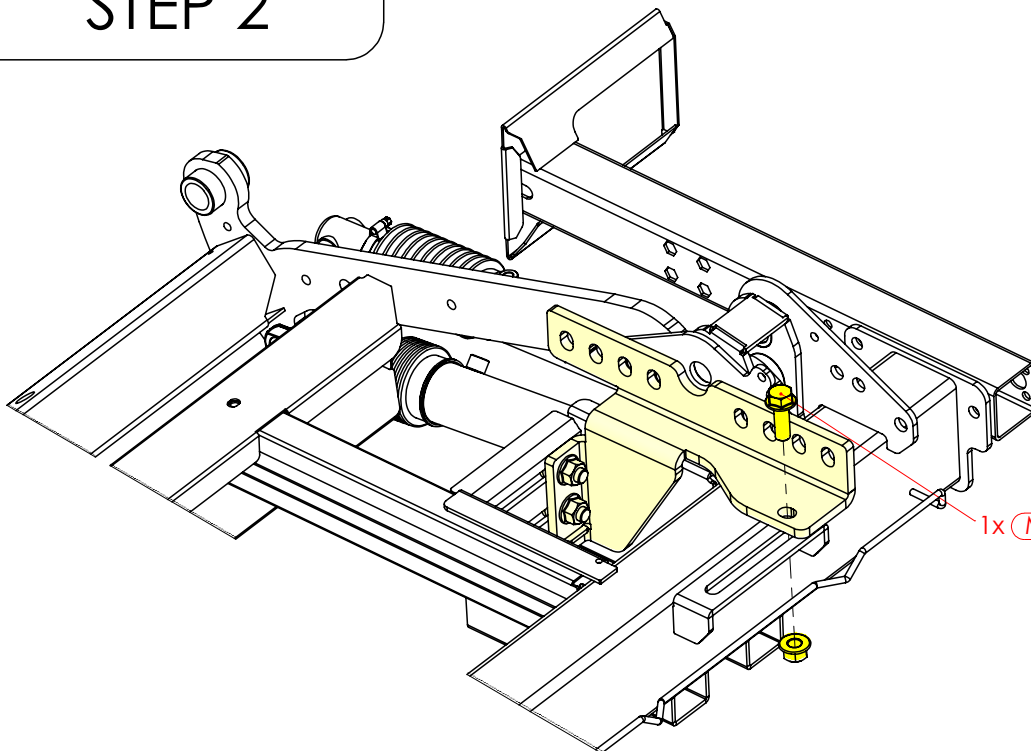
STEP 1

2x (M14x1.5 - 40mm) DIN6921



STEP 2

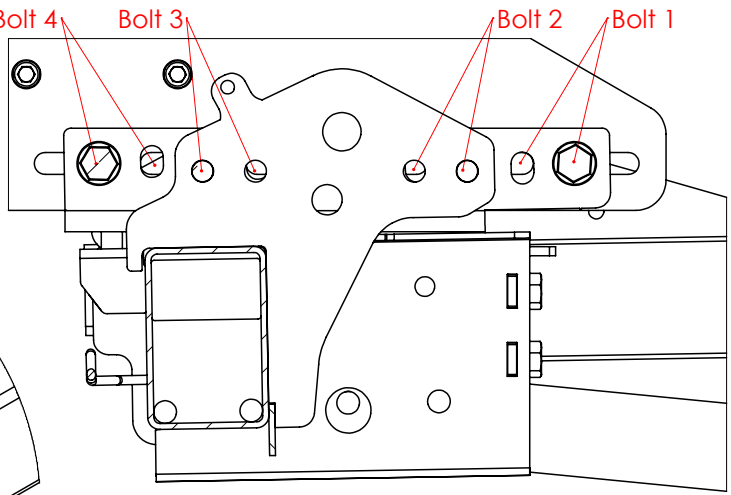
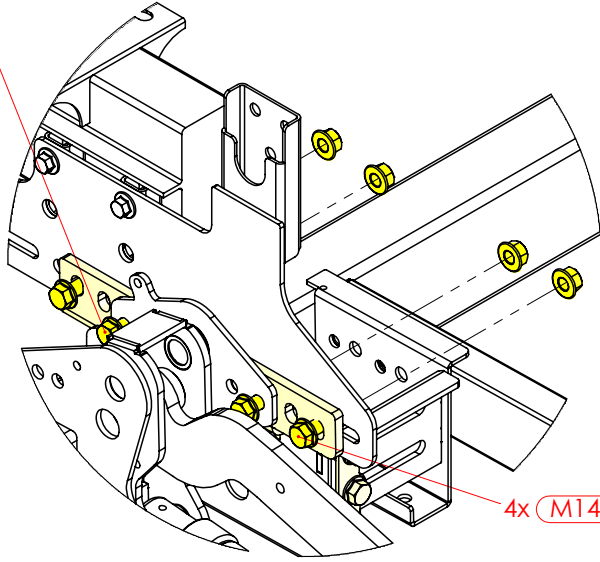
1x (M14x1.5 - 40mm) DIN6921



STEP 3

2 bolts go through frame!

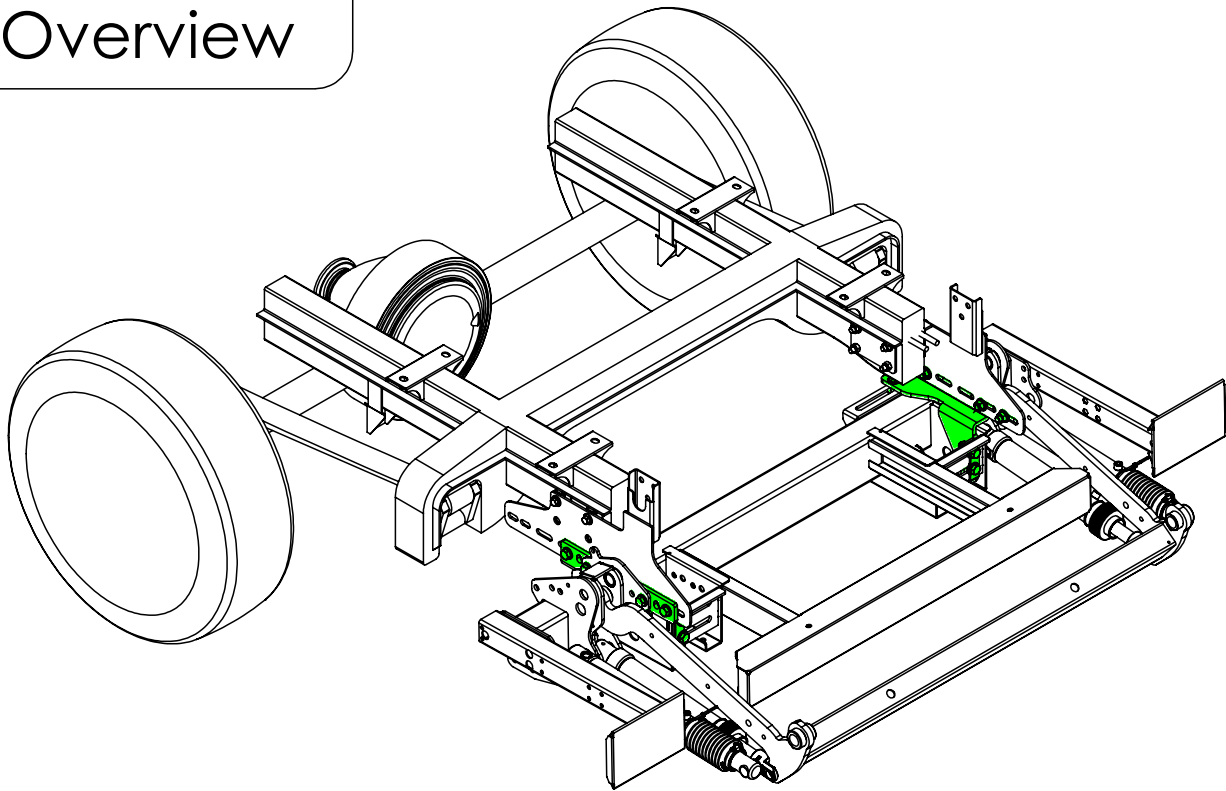
Bolt 4 Bolt 3 Bolt 2 Bolt 1



4x (M14x1.5 - 40mm) DIN6921

chassis and mounting plates may vary from drawing

Overview



chassis and mounting plates may vary from drawing

