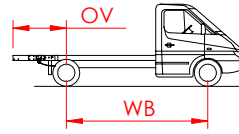


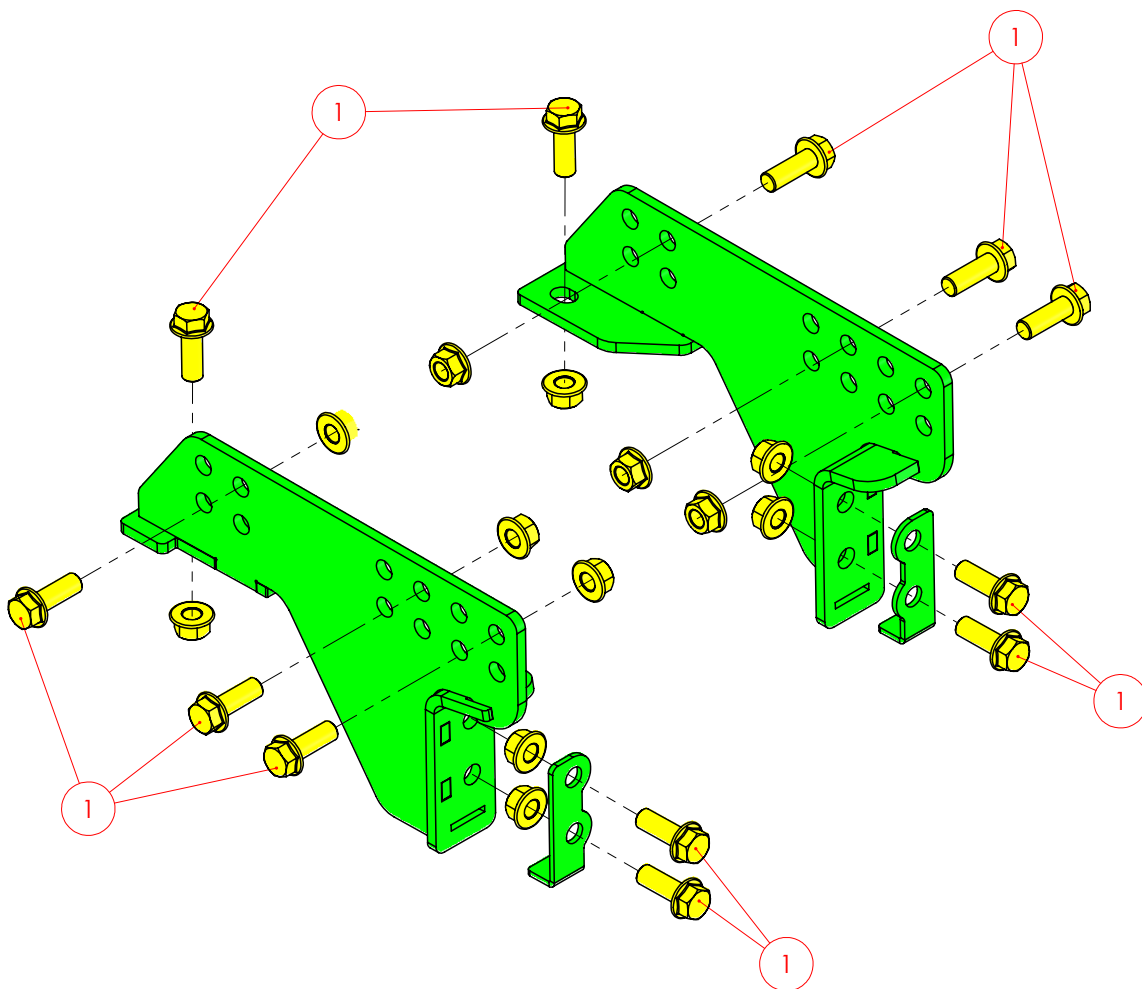
MM.9.XI.08.S- Mounting instructions

LC.08.01

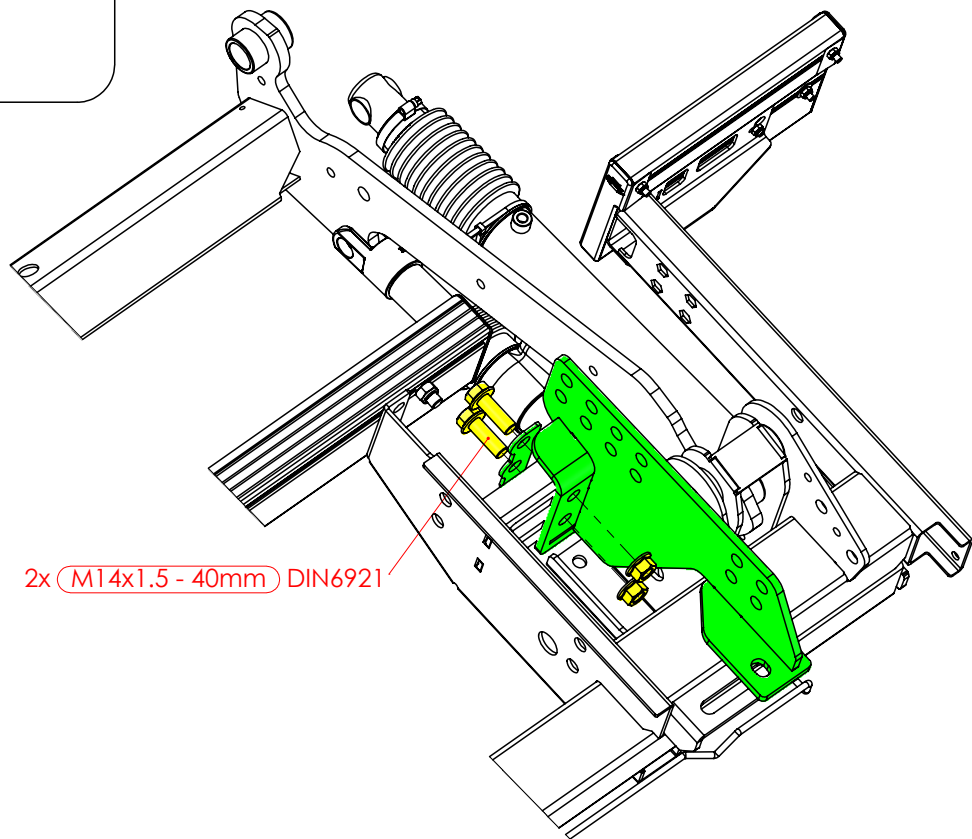
LM.08.02



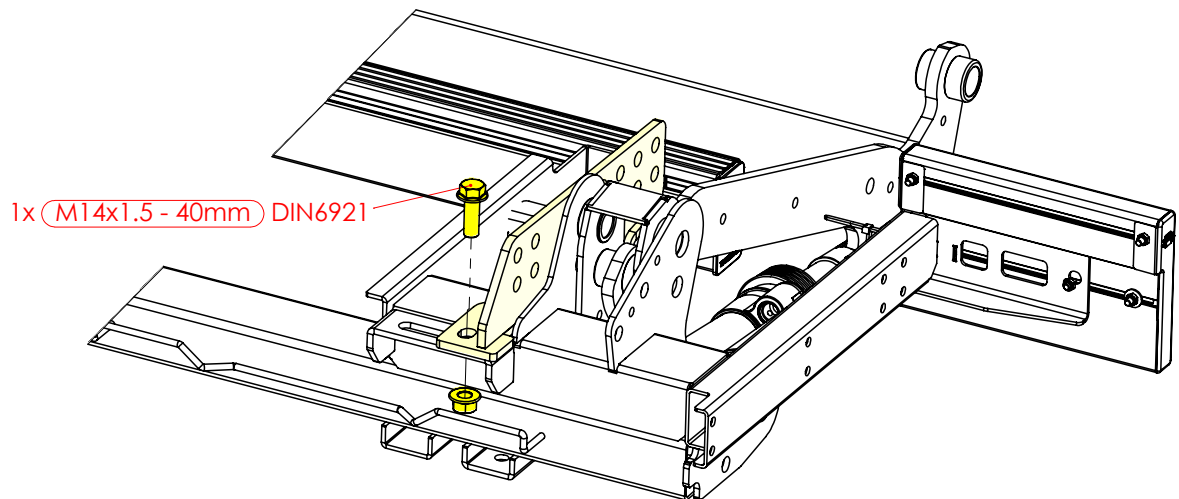
Ref	Bolts	QTY
1	M14x1.5 DIN6921 - 40mm	12



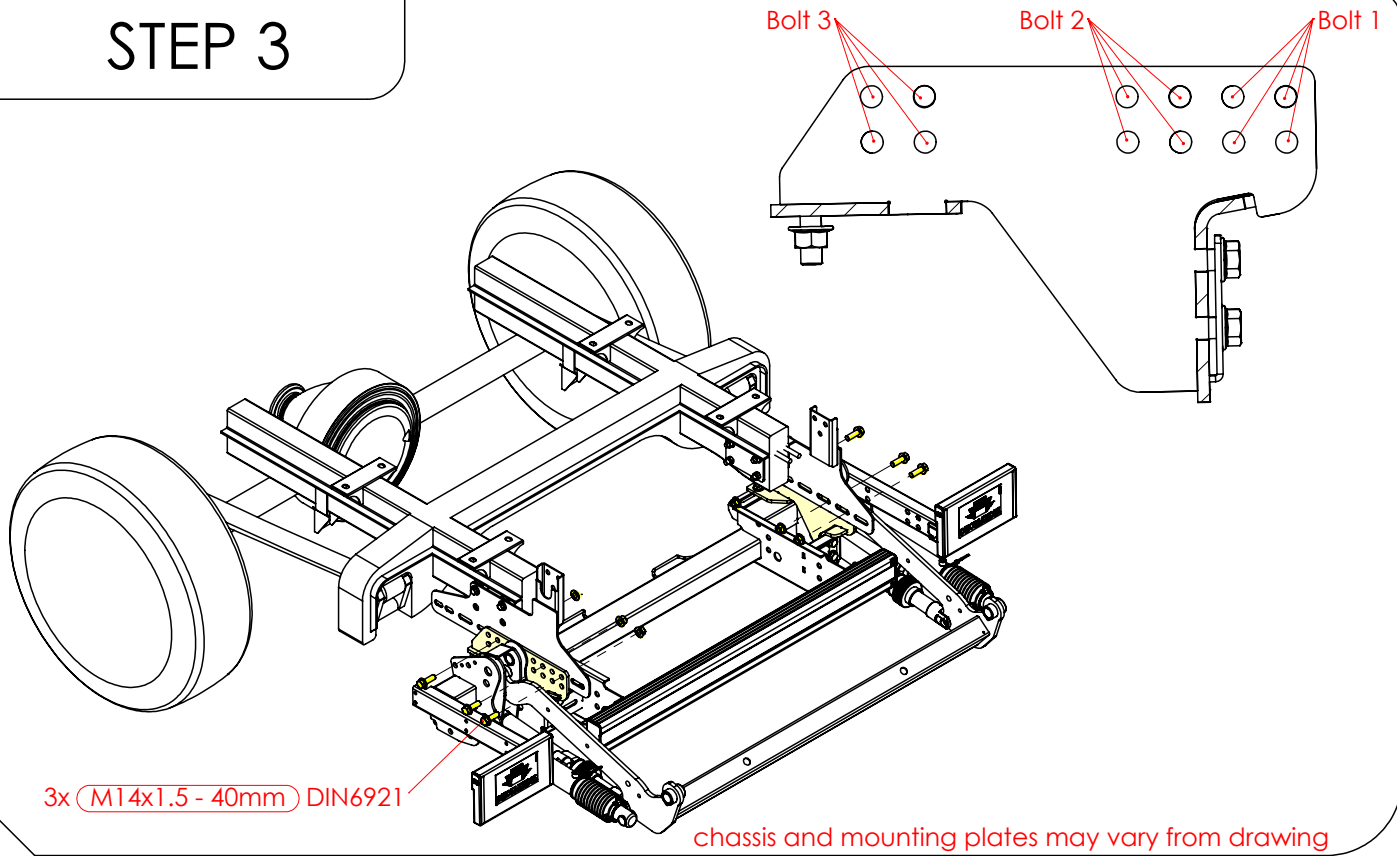
STEP 1



STEP 2



STEP 3



Overview

