

**Speciale hydraulische toepassingen**

**Applications hydrauliques spéciales**

**Special hydraulic applications**

**Spezielle Bühnen & hydraulische  
Auffahrrampen**

**Aplicaciones hidráulicas especiales**

**Aplicações hidráulicas especiais**

**Applicazioni idrauliche speciali**

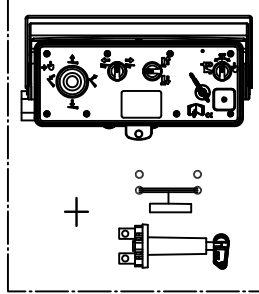
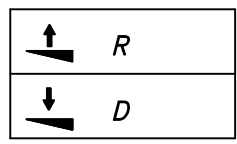
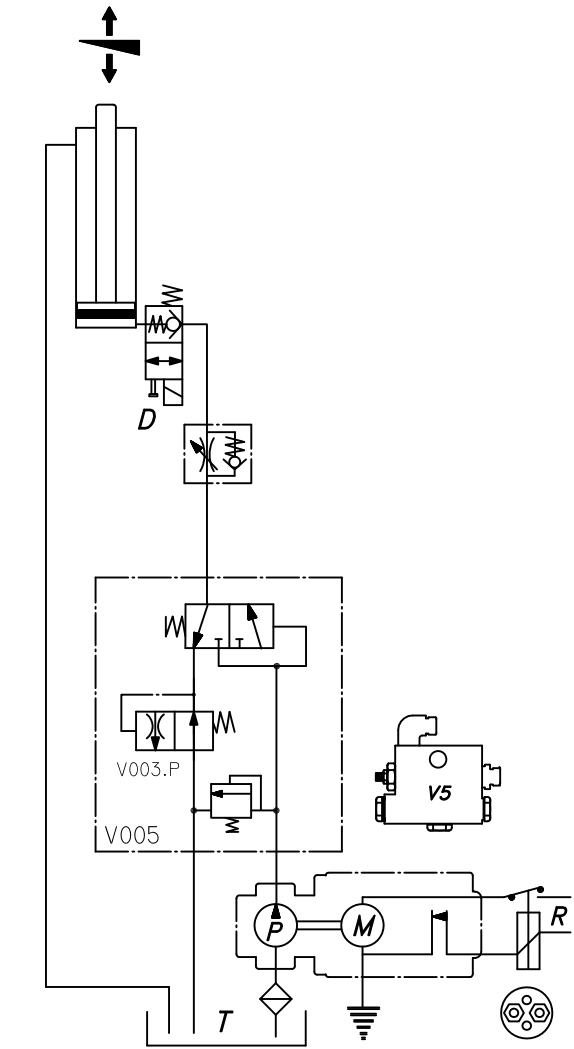
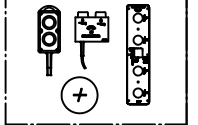
**Специализированные гидроборты  
(рампы)**



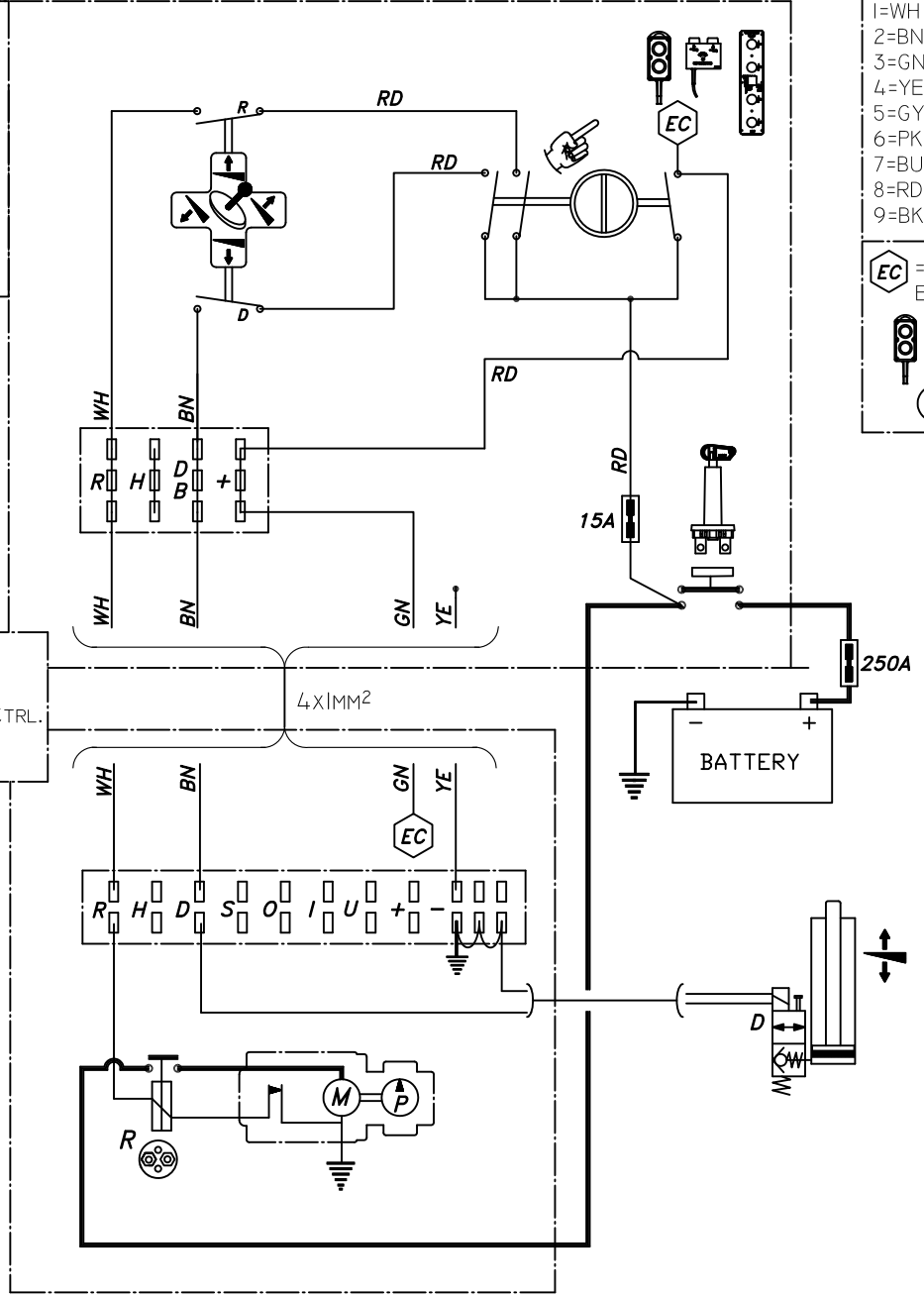
**E**

- 1=WH
- 2=BN
- 3=GN
- 4=YE
- 5=GY
- 6=PK
- 7=BU
- 8=RD
- 9=BK

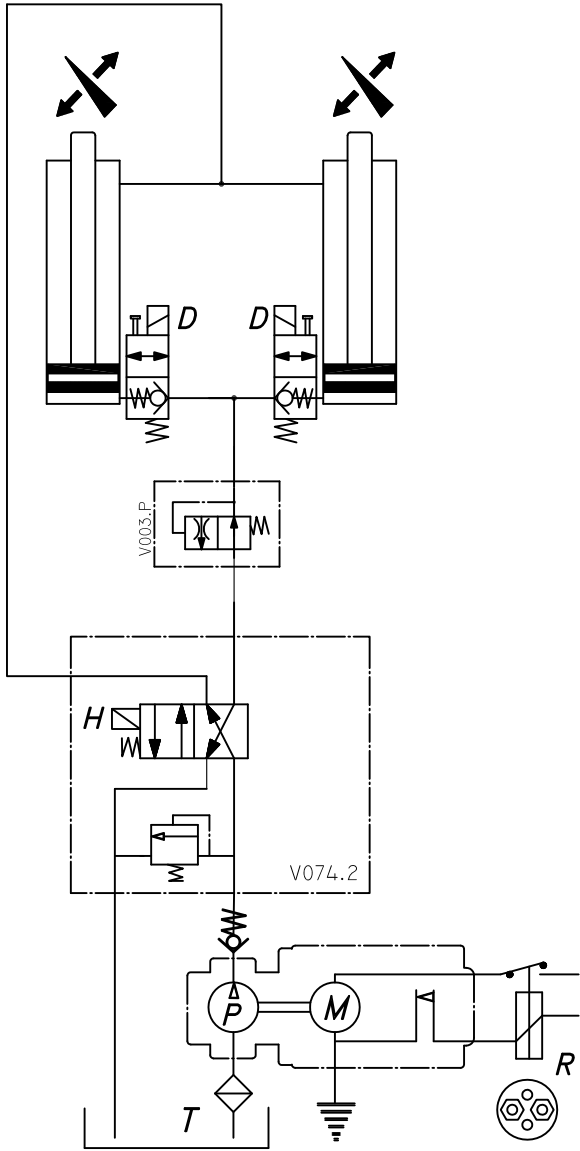
EC = 24/12V  
EXTRA CTRL.



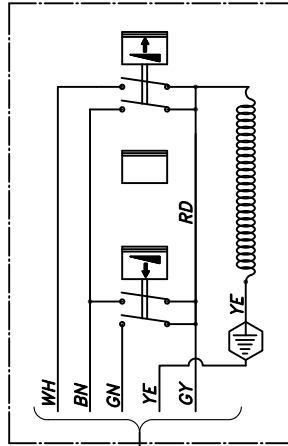
WH-> R  
BN-> D  
GN-> + EXTRA CTRL.  
YE-> - EARTH



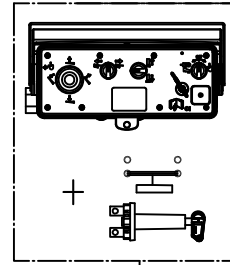
DH-IV MEAT LIFT



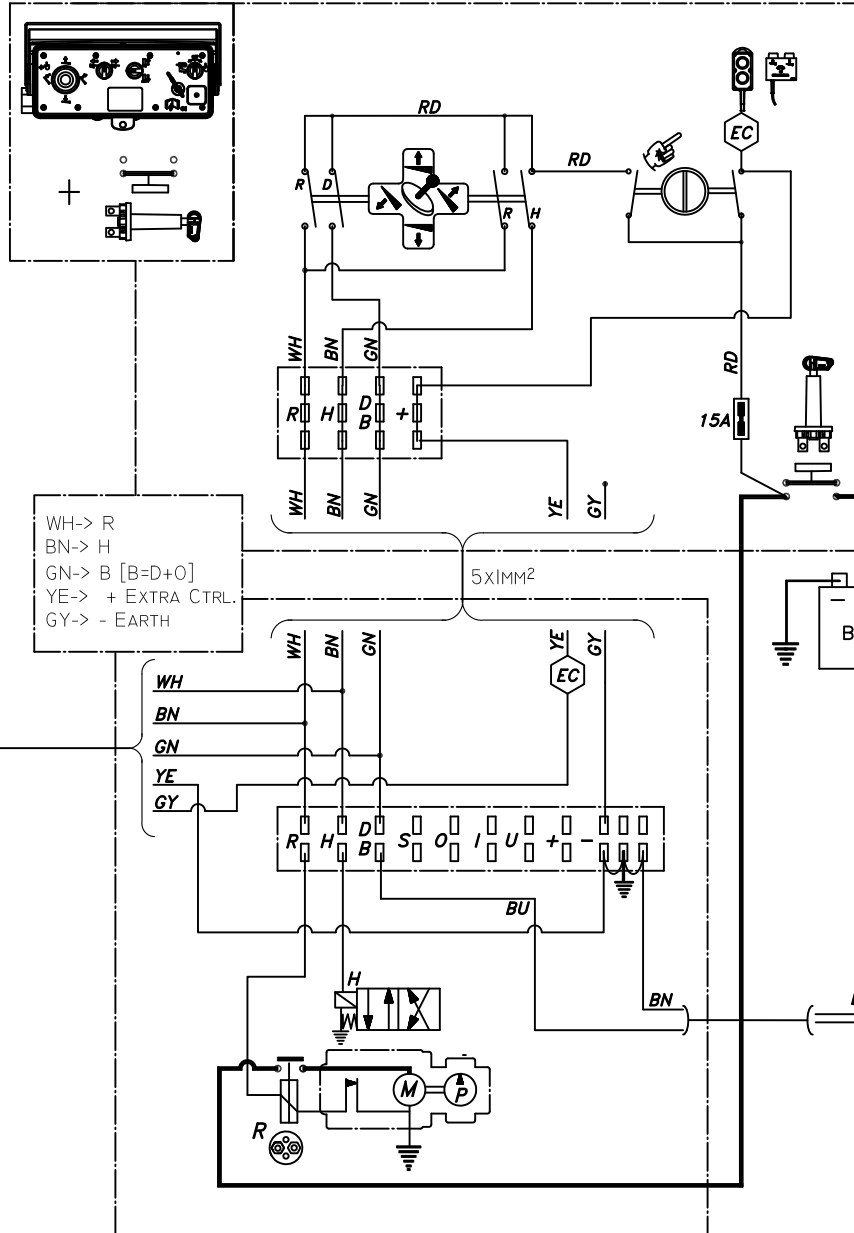
E0793.20.I.H



S008.B + E2007



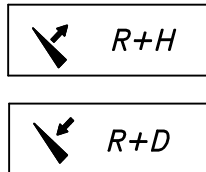
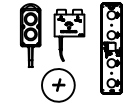
EXTERIOR CONTROL BOX REF. ED542.T0 / ED562.T0



COLOUR CODES  
DIN 47100

- 1=WH
- 2=BN
- 3=GN
- 4=YE
- 5=GY
- 6=PK
- 7=BU
- 8=RD
- 9=BK

EC = 24/12V  
EXTRA CTRL.



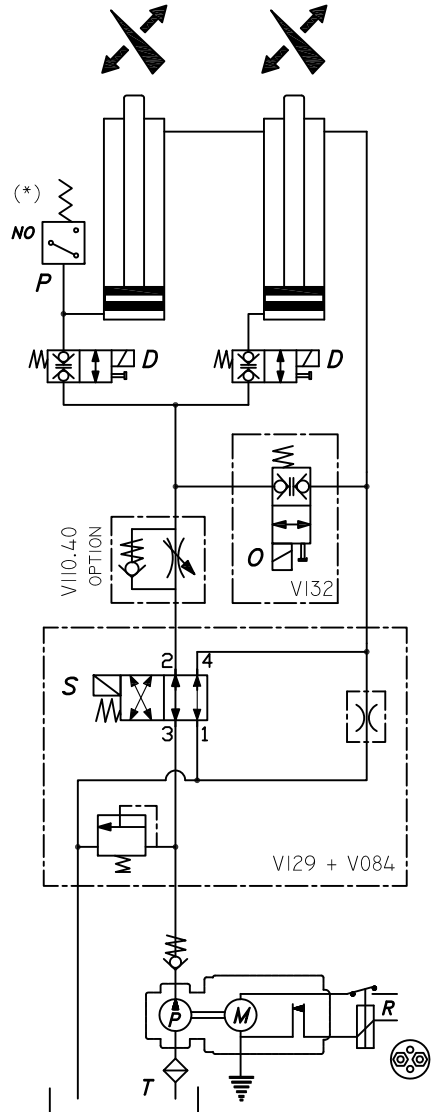
Type : MEAT LIFT DH-IV - 2006/...  
Power pack : G.IV01/02 + S/N°  
Plan N° : Sch\_IV-V074.2-2011-01

Valve : V074.2.12/24

Date : 01/04/2011

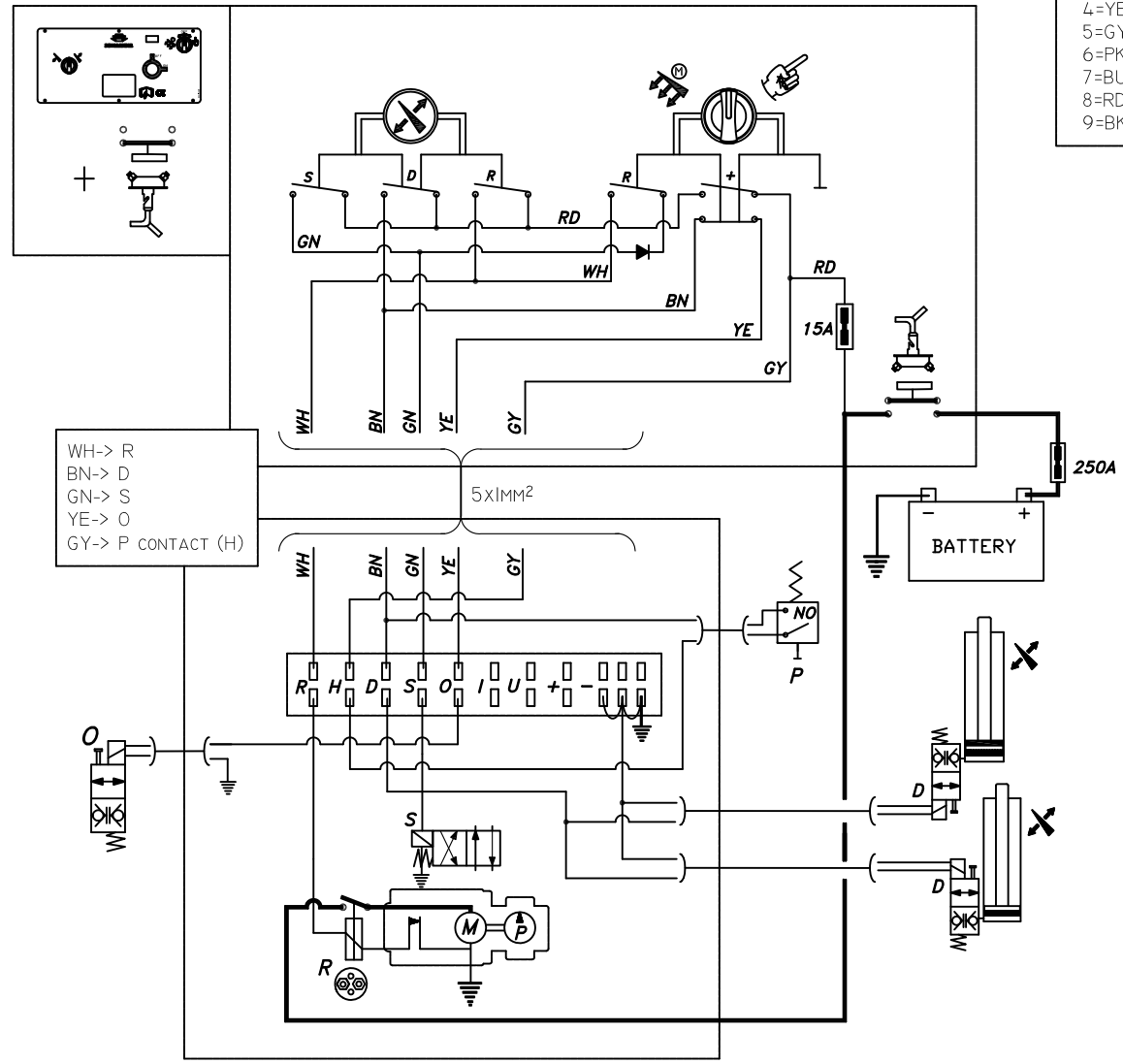
DEHOLLANDIA





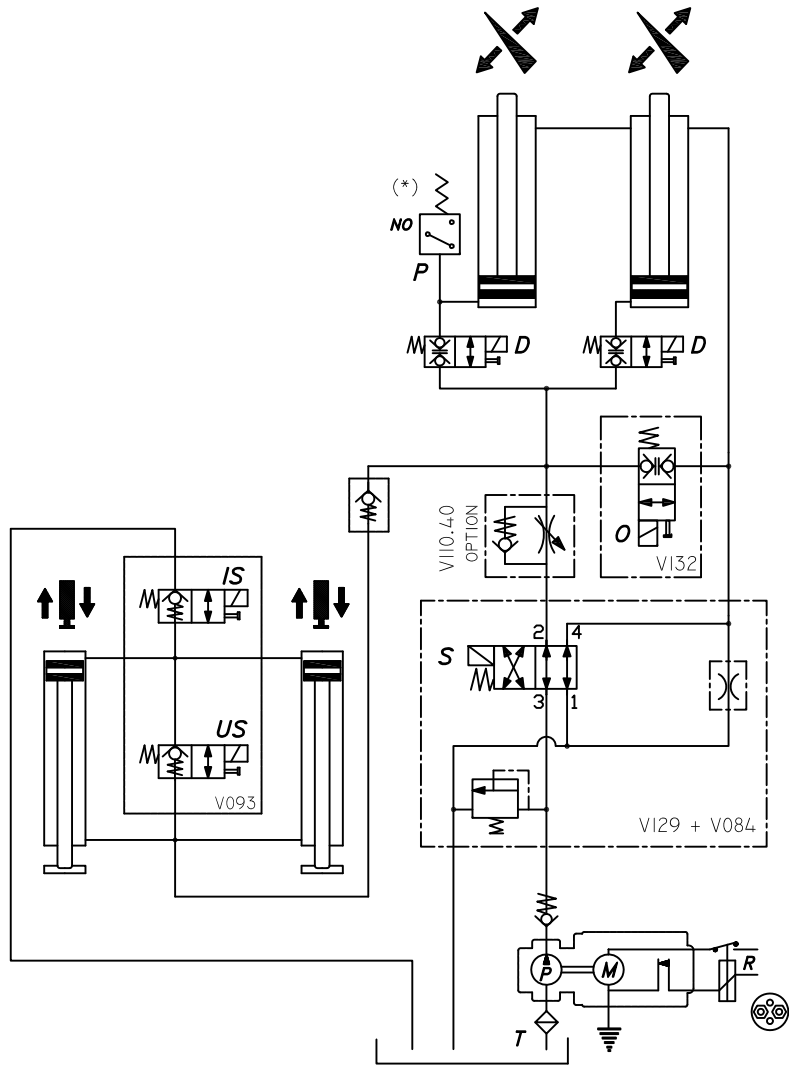
S008.B + E068

EXTERIOR CONTROL BOX REF. EC5013



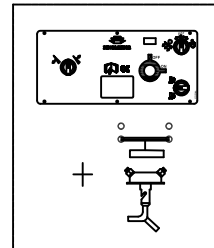
WH-> R  
 BN-> D  
 GN-> S  
 YE-> O  
 GY-> P CONTACT (H)


(\*) = NO PRESSURE CONTACT SET DURING FITTING: OPEN PLATFORM OPEN AT 45°, SET P SO THAT:  
 NO WEIGHT -> PLATFORM REMAINS STABLE  
 500 KG LOAD -> D+O OPEN & PLATFORM GOES DOWN



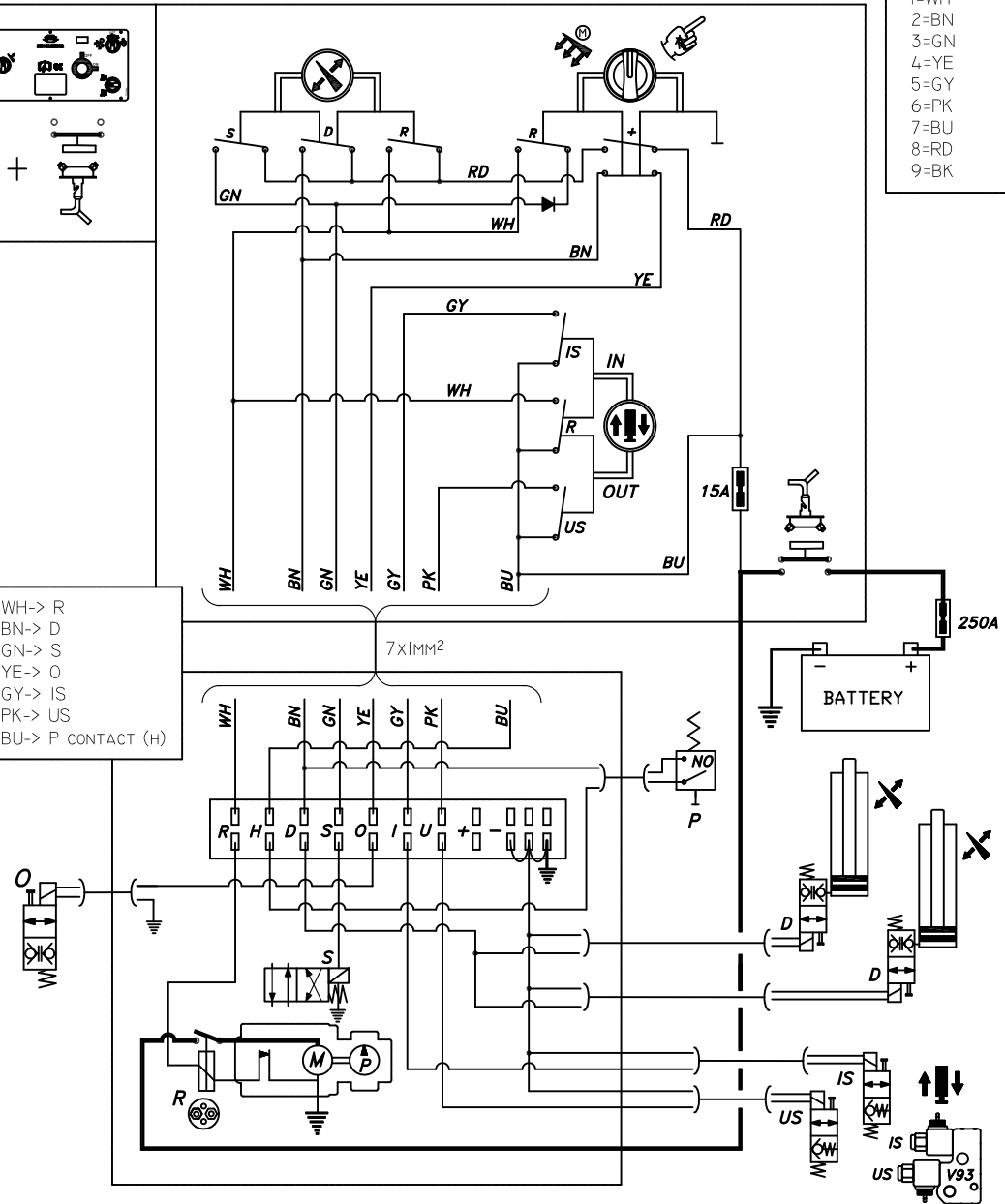
(\*) = NO PRESSURE CONTACT SET DURING FITTING: OPEN PLATFORM OPEN AT 45°, SET P SO THAT:  
 NO WEIGHT -> PLATFORM REMAINS STABLE  
 500 KG LOAD -> D+O OPEN & PLATFORM GOES DOWN


S008.B + E068



EXTERIOR CONTROL BOX REF. EC5014

WH-> R  
 BN-> D  
 GN-> S  
 YE-> O  
 GY-> IS  
 PK-> US  
 BU-> P CONTACT (H)



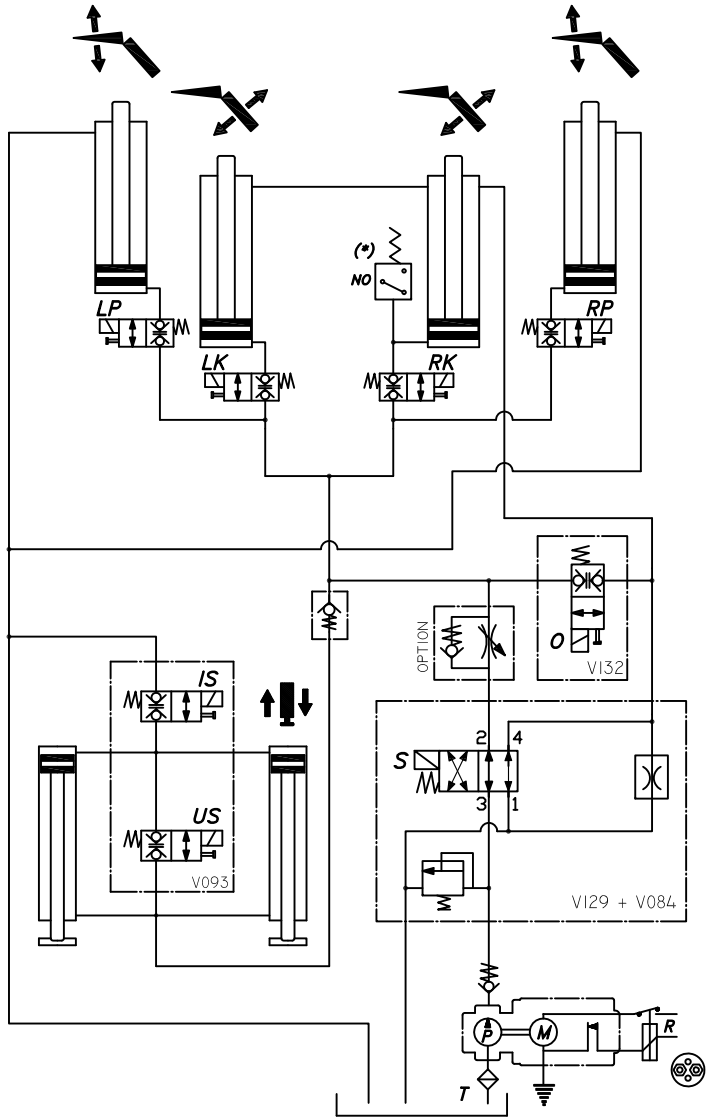
COLOUR CODES  
 DIN 47100

- 1=WH
- 2=BN
- 3=GN
- 4=YE
- 5=GY
- 6=PK
- 7=BU
- 8=RD
- 9=BK

Type : Hydraulic ramp DH-AR11,12,21,22 + stabilising legs - 2010-...  
 Power pack : G.AR.2511.40.LX01 (24V) Valve : V129+V084+V093  
 Plan N° : Sch\_AR11\_ST-V129-V084-V093-S008.B-2010-01 Date : 21/04/2010



DH-AR31 + STAB. LEGS

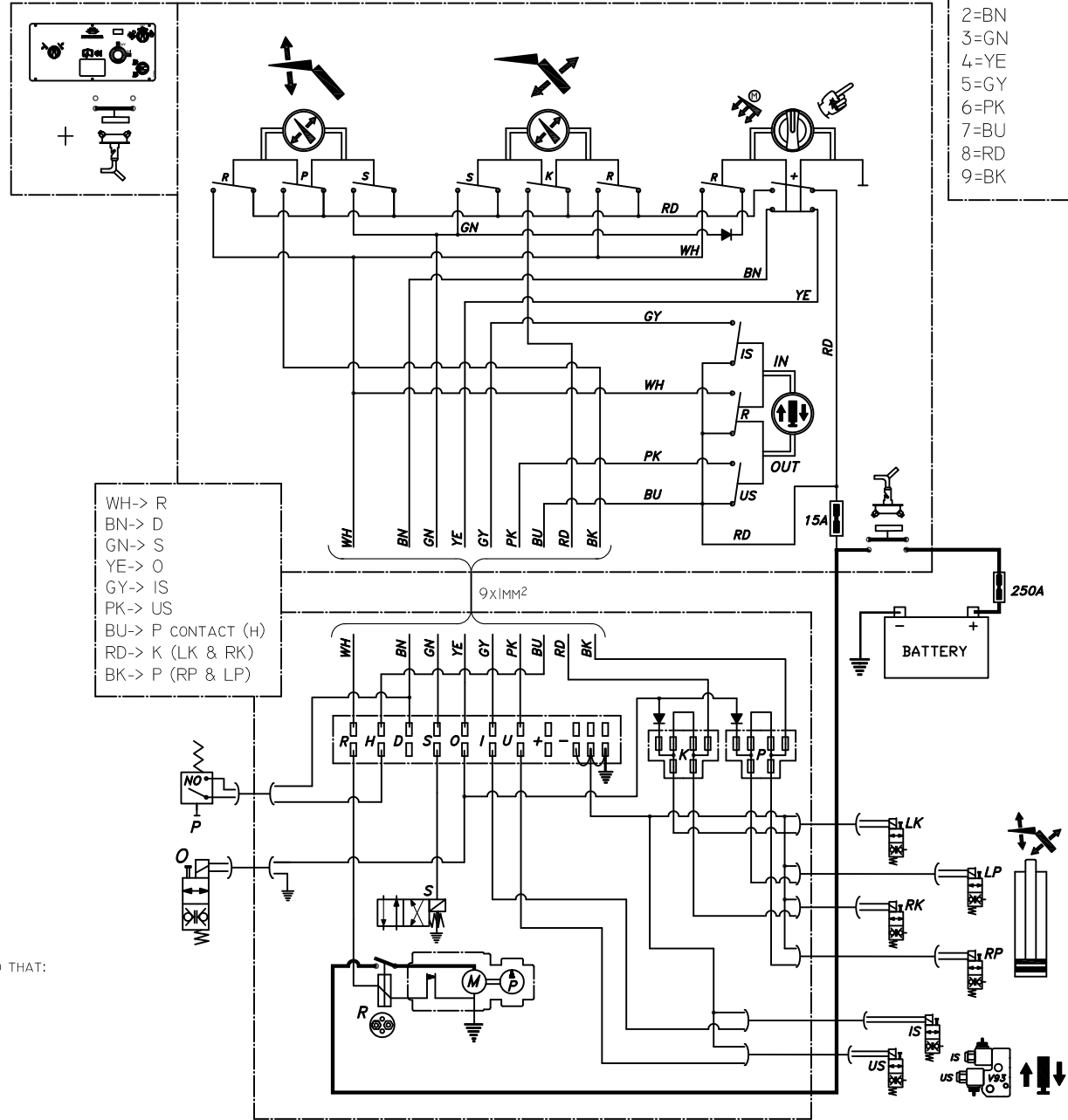


(\*) = NO PRESSURE CONTACT SET DURING FITTING: OPEN PLATFORM OPEN AT 45°, SET P SO THAT:  
 NO WEIGHT -> PLATFORM REMAINS STABLE  
 500 KG LOAD -> D+O OPEN & PLATFORM GOES DOWN

	R+LK+RK	R+LP+RP	R+IS
	R+S+LK+RK	S+LP+RP	R+US
	S+LK+RK		

S008.B + E068

EXTERIOR CONTROL BOX REF. EC5016



WH-> R  
 BN-> D  
 GN-> S  
 YE-> O  
 GY-> IS  
 PK-> US  
 BU-> P CONTACT (H)  
 RD-> K (LK & RK)  
 BK-> P (RP & LP)

COLOUR CODES  
 DIN 47100

- 1=WH
- 2=BN
- 3=GN
- 4=YE
- 5=GY
- 6=PK
- 7=BU
- 8=RD
- 9=BK

Type : Hydraulic ramp DH-AR31 with full-width platform - 2010/...

Power pack : -

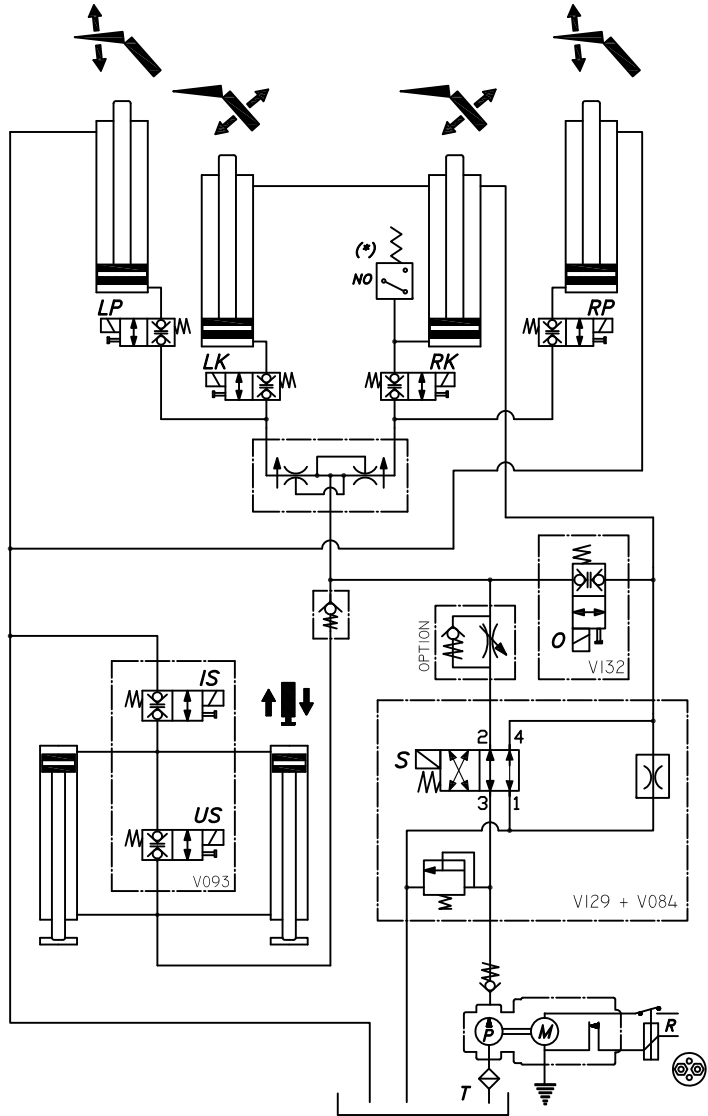
Valve : V129+V084

Plan N° : Sch\_AR31 ST-V129-V093-2010-03

Date : 31/05/2010

DHOLLANDIA

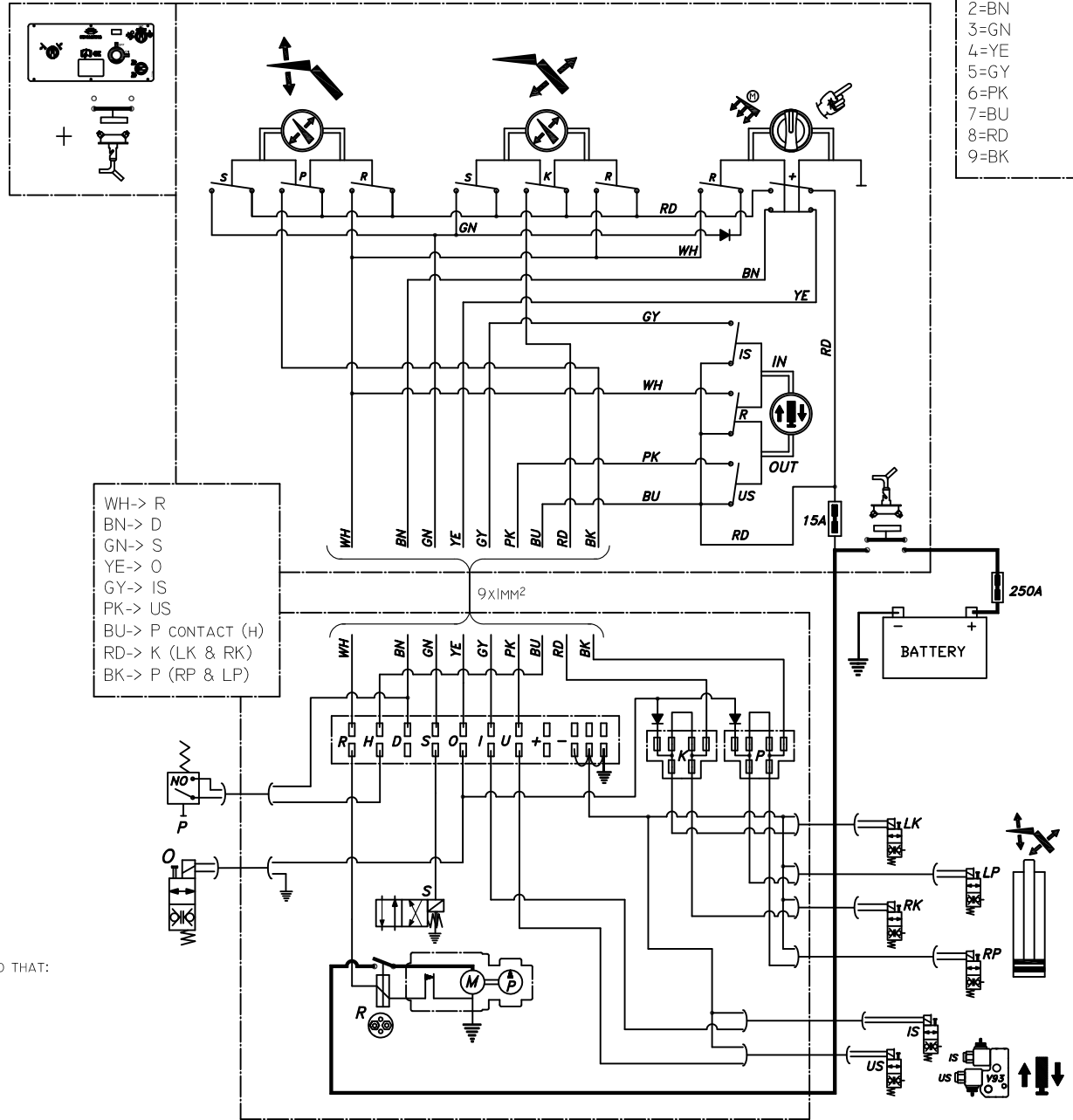
DH-AR32 + S421.2 + STAB. LEGS



(\*) = NO PRESSURE CONTACT SET DURING FITTING: OPEN PLATFORM OPEN AT 45°, SET P SO THAT:  
 NO WEIGHT -> PLATFORM REMAINS STABLE  
 500 KG LOAD -> D+O OPEN & PLATFORM GOES DOWN


S008.B + E068

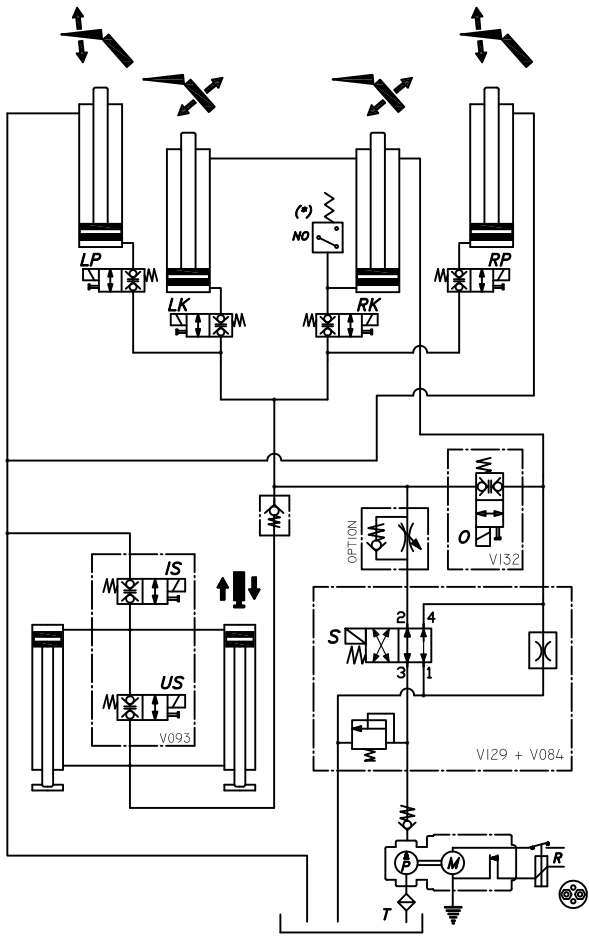
EXTERIOR CONTROL BOX REF. EC5016



COLOUR CODES  
 DIN 47100

- 1=WH
- 2=BN
- 3=GN
- 4=YE
- 5=GY
- 6=PK
- 7=BU
- 8=RD
- 9=BK

- WH-> R
- BN-> D
- GN-> S
- YE-> O
- GY-> IS
- PK-> US
- BU-> P CONTACT (H)
- RD-> K (LK & RK)
- BK-> P (RP & LP)



(\*) = NO PRESSURE CONTACT SET DURING FITTING: OPEN PLATFORM OPEN AT 45°, SET P SO THAT:  
 NO WEIGHT -> PLATFORM REMAINS STABLE  
 500 KG LOAD -> D+O OPEN & PLATFORM GOES DOWN

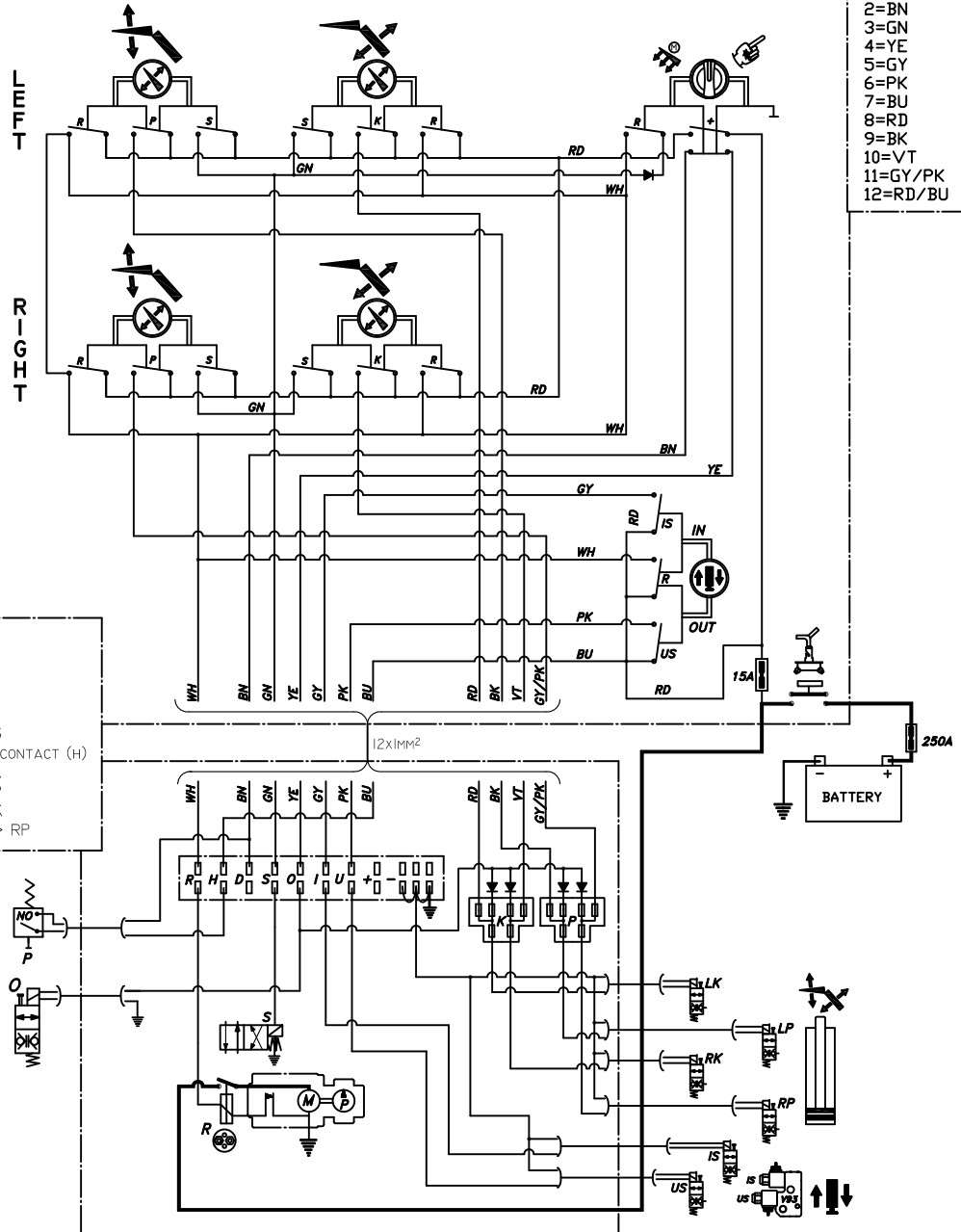
	LEFT side		RIGHT side		
P	R+LK	R+LP	R+RK	R+RP	R+IS
	R+S+LK	S+LP	R+S+RK	S+RP	R+US
	S+LK		S+RK		

Colour codes  
 DIN 47100

- 1=WH
- 2=BN
- 3=GN
- 4=YE
- 5=GY
- 6=PK
- 7=BU
- 8=RD
- 9=BK
- 10=VT
- 11=GY/PK
- 12=RD/BU

LEFT - RIGHT

- WH-> R
- BN-> D
- GN-> S
- YE-> O
- GY-> IS
- PK-> US
- BU-> P CONTACT (H)
- RD-> LK
- BK-> LP
- VT-> RK
- GY/PK-> RP



Type : Hydraulic ramp DH-AR32 with separate L+R function - 2010/...  
 Power pack : - Valve : V129+V084  
 Plan N° : Sch\_AR32 ST-S421.4-V129-V093-2010-03  
 Date : 31/05/2010

